



THANK YOU FOR PURCHASING THIS QUALITY PRODUCT.  
BE SURE TO CHECK ALL PACKING MATERIAL CAREFULLY FOR SMALL PARTS  
THAT MAY HAVE COME LOOSE INSIDE THE CARTON DURING TRANSIT.

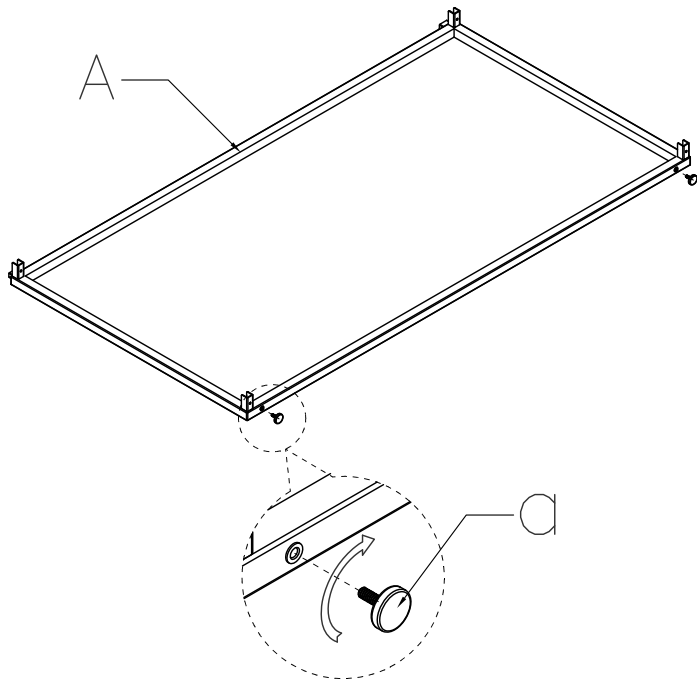
PART LIST

NO	DECS	DIZE(IN)	SKETCH	QTY
A	Leg	55.12*27.56*2.56		2PC
B	Link	13.78*1*1		4PC
C	Glass lid	55.12*15.74*3.54		1PC

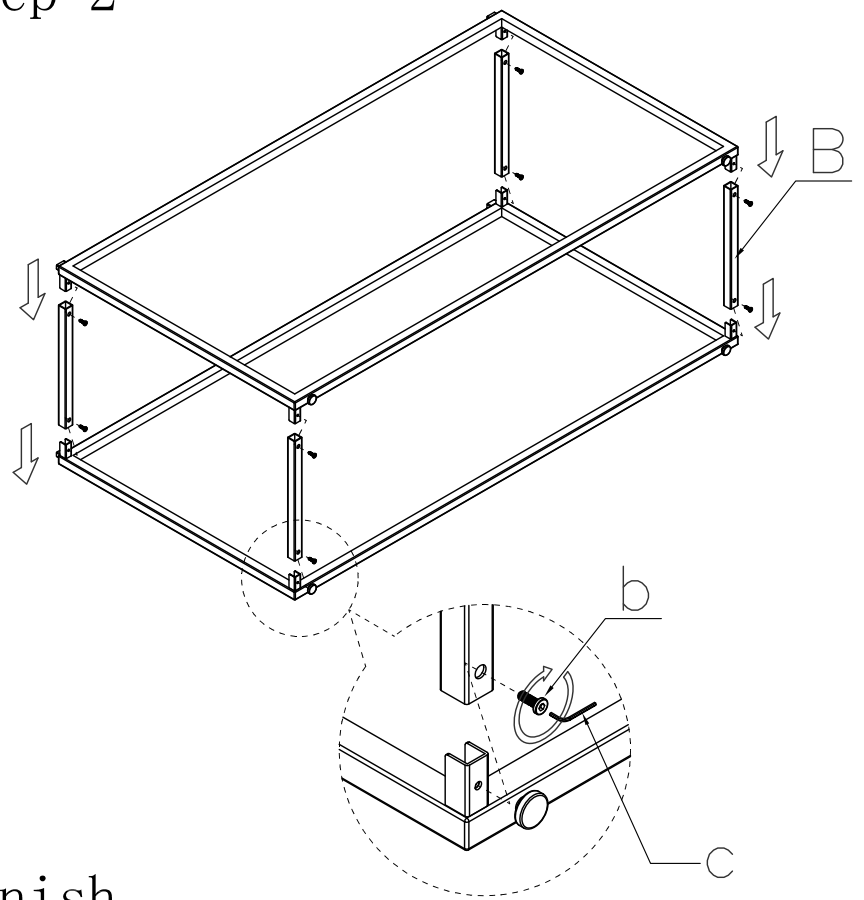
HARDWARE LIST

NO	DECS	DIZE(IN)	SKETCH	QTY
a	FLAT GLIDE	1"		4PCS
b	SCREW	5/16"		8PCS
c	ALLEN KEY	M5		1PC

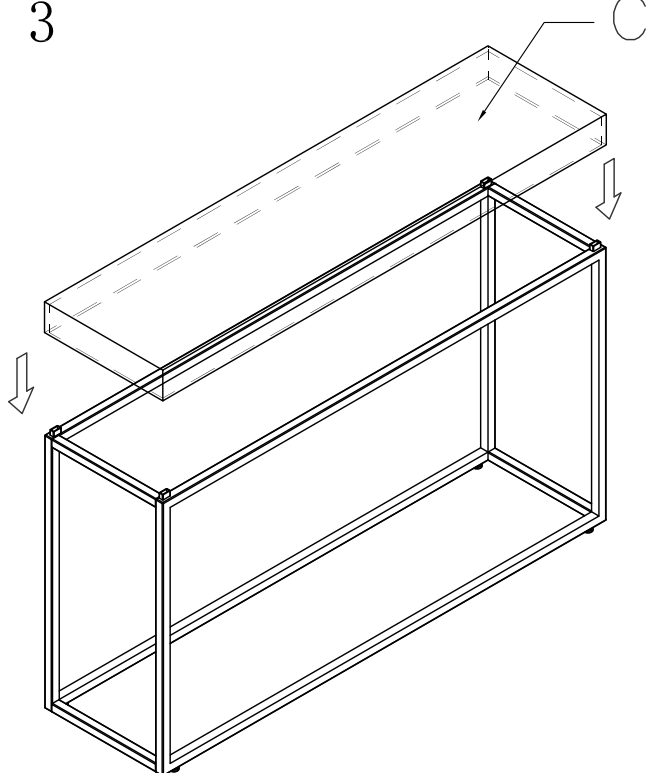
Step 1



Step 2



Step 3



Finish

