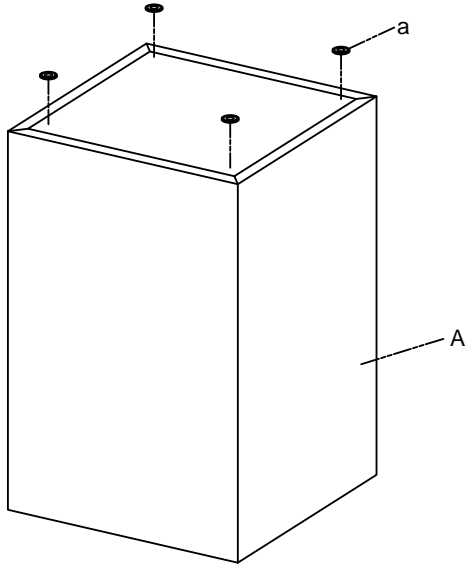




THANK YOU FOR PURCHASING THIS QUALITY PRODUCT.

BE SURE TO CHECK ALL PACKING MATERIAL CAREFULLY FOR SMALL PARTS THAT MAY HAVE COME LOOSE INSIDE THE CARTON DURING TRANSIT.

STEP 1



PART LIST

NO	DESC	SIZE (MM)	SKETCH	QTY
A	Base	450x450x740		1PC

HARDWARE LIST

NO	DESC	SIZE (MM)	SKETCH	QTY
a	Plastic Anti-Slip Pad	Ø20mm		4 PCS

FINISHED

