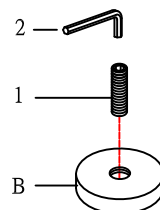




THANK YOU FOR PURCHASING THIS QUALITY PRODUCT.
BE SURE TO CHECK ALL PACKING MATERIAL CAREFULLY FOR SMALL PARTS THAT MAY HAVE COME LOOSE INSIDE THE CARTON DURING TRANSIT.

Step 1



HARDWARE LIST:

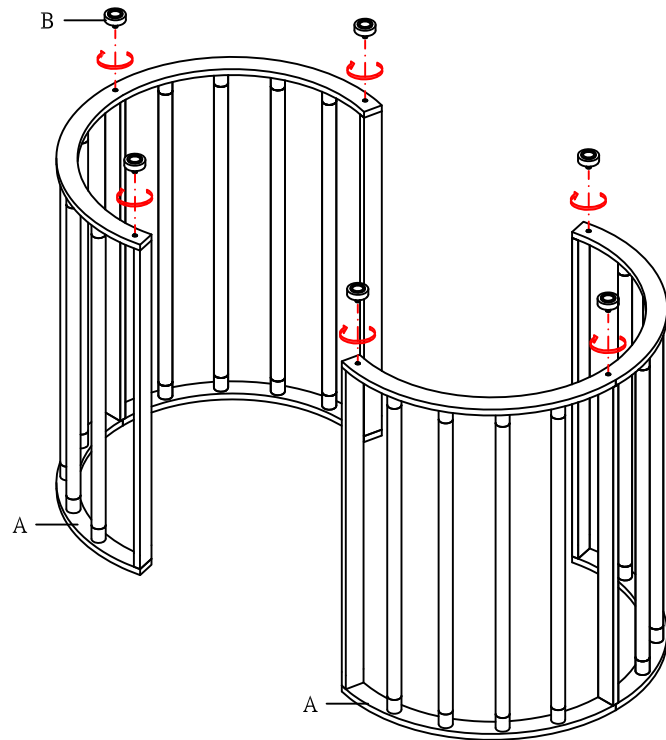
NO	DESCRIPTION	SIZE(mm)	SKETCH	QTY
1	SHORT SCREW	M8*20		6PCS
2	ALLEN KEY	4		1PC

PARTS LIST:

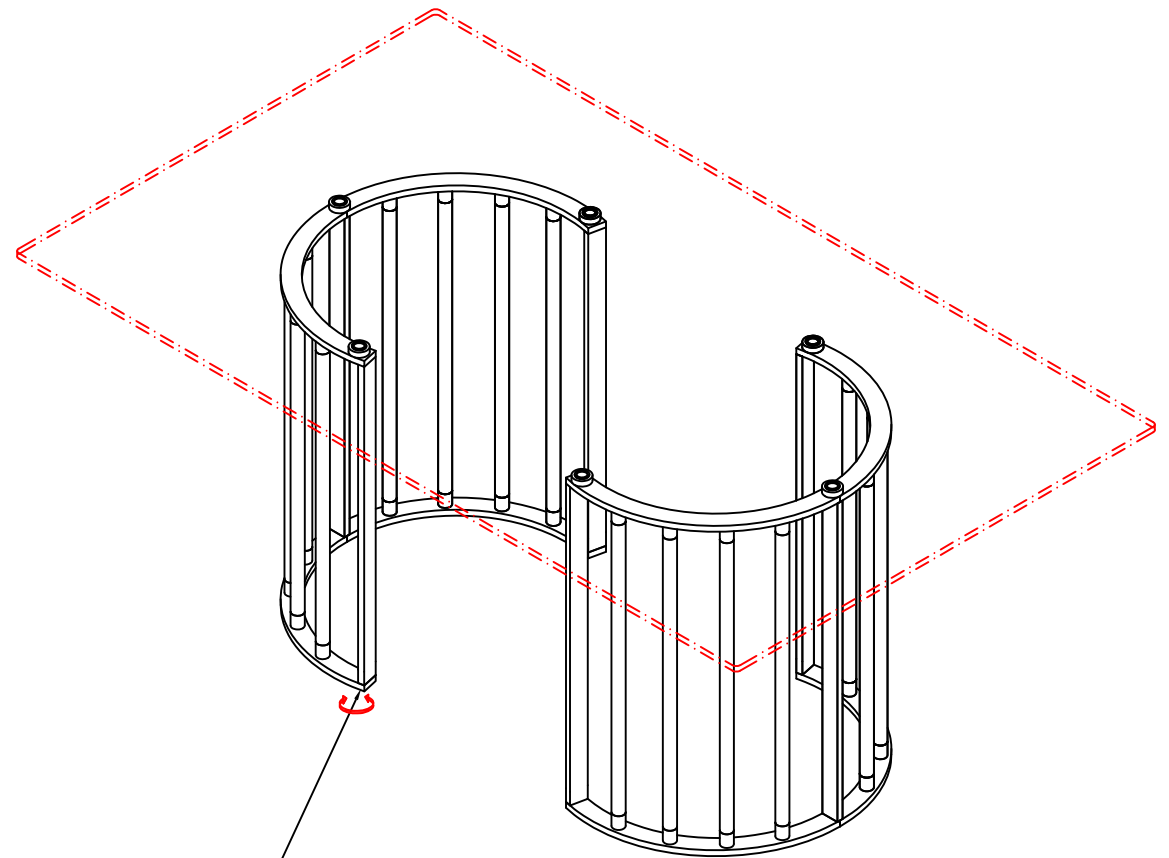
NO	DESCRIPTION	SIZE(mm)	SKETCH	QTY
A	LEG	630*388*744		2PCS
B	PUCK	∅38*12		6PCS



Step 2



FINISH



ADJUST THE GLIDES IF NEEDED