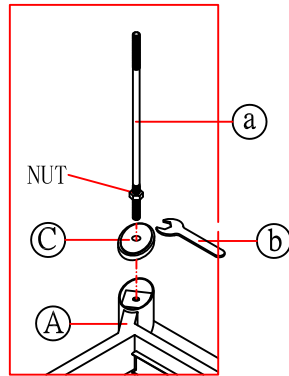


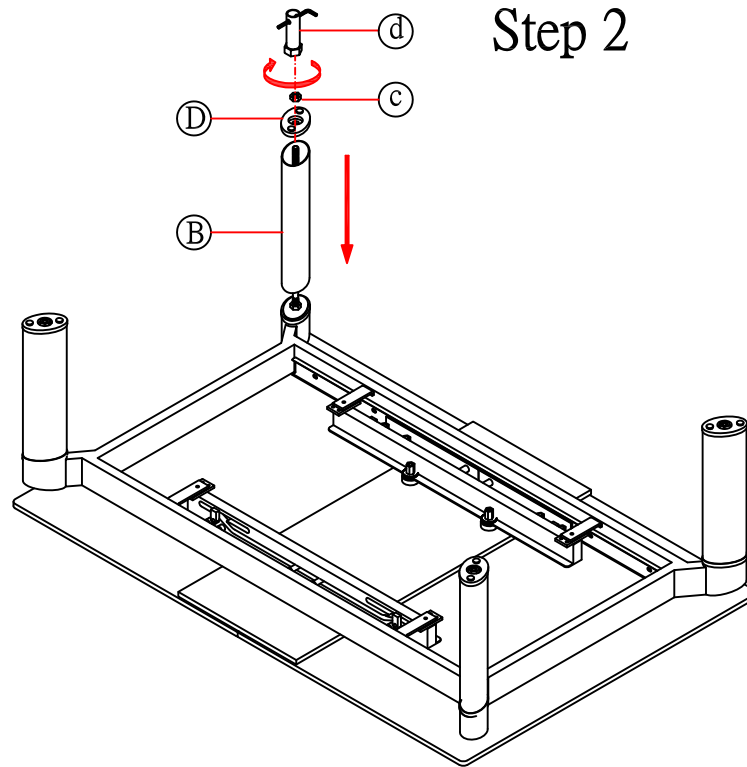


Step 1

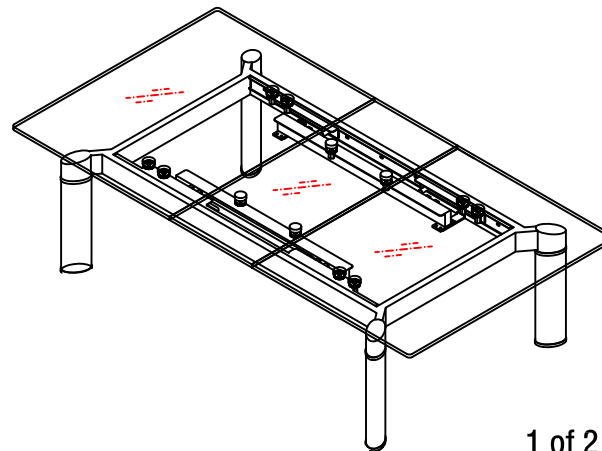
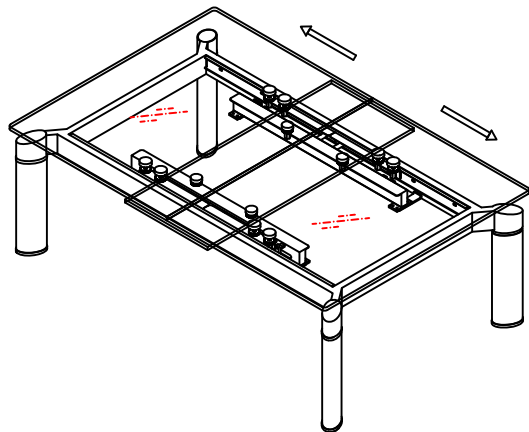
FASTEN THE BOLT (a) TO THE TABLE FRAME, USE THE WRENCH (b) TO FASTEN THE PRE ASSEMBLED NUT.



Step 2



FINISH



PARTS LIST:

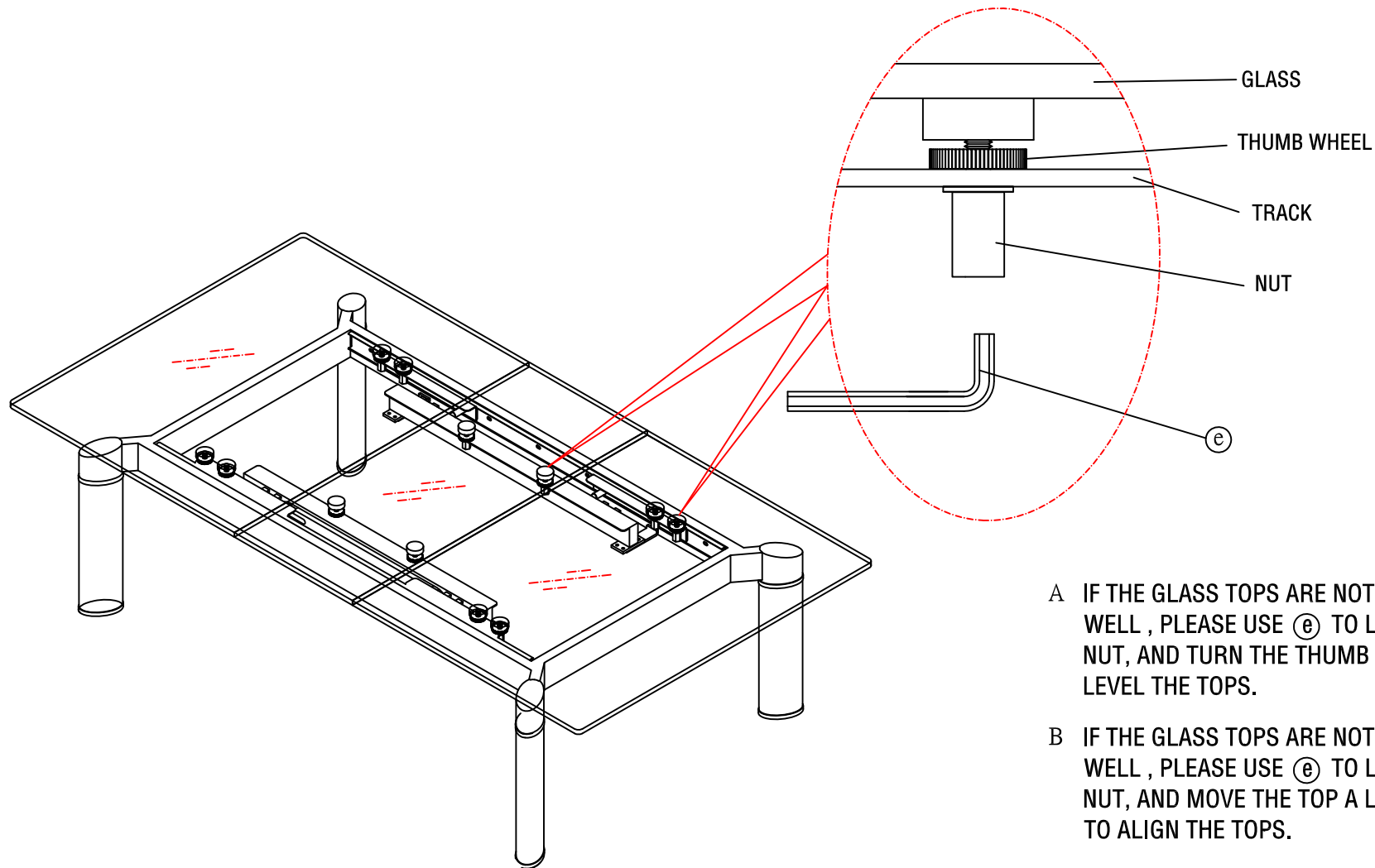
NO	DESCRIPTION	SKETCH	QTY
A	GLASS TOP		1PC
B	LEG		4PCS
C	TOP CAP		4PCS
D	END CAP		4PCS

HARDWARE LIST:

NO	DESCRIPTION	SKETCH	QTY
a	BOLT (NUT PREASSEMBLED)		4PCS
b	WRENCH		1PC
c	NUT		4PCS
d	HEXAGON SOCKET 17MM		1PC
e	ALLEN KEY 8mm		1PC



Step 1



- A IF THE GLASS TOPS ARE NOT LEVELED WELL , PLEASE USE ⑤ TO LOOSE THE NUT, AND TURN THE THUMB WHEEL TO LEVEL THE TOPS.
- B IF THE GLASS TOPS ARE NOT ALIGNED WELL , PLEASE USE ⑤ TO LOOSE THE NUT, AND MOVE THE TOP A LITTLE BIT TO ALIGN THE TOPS.