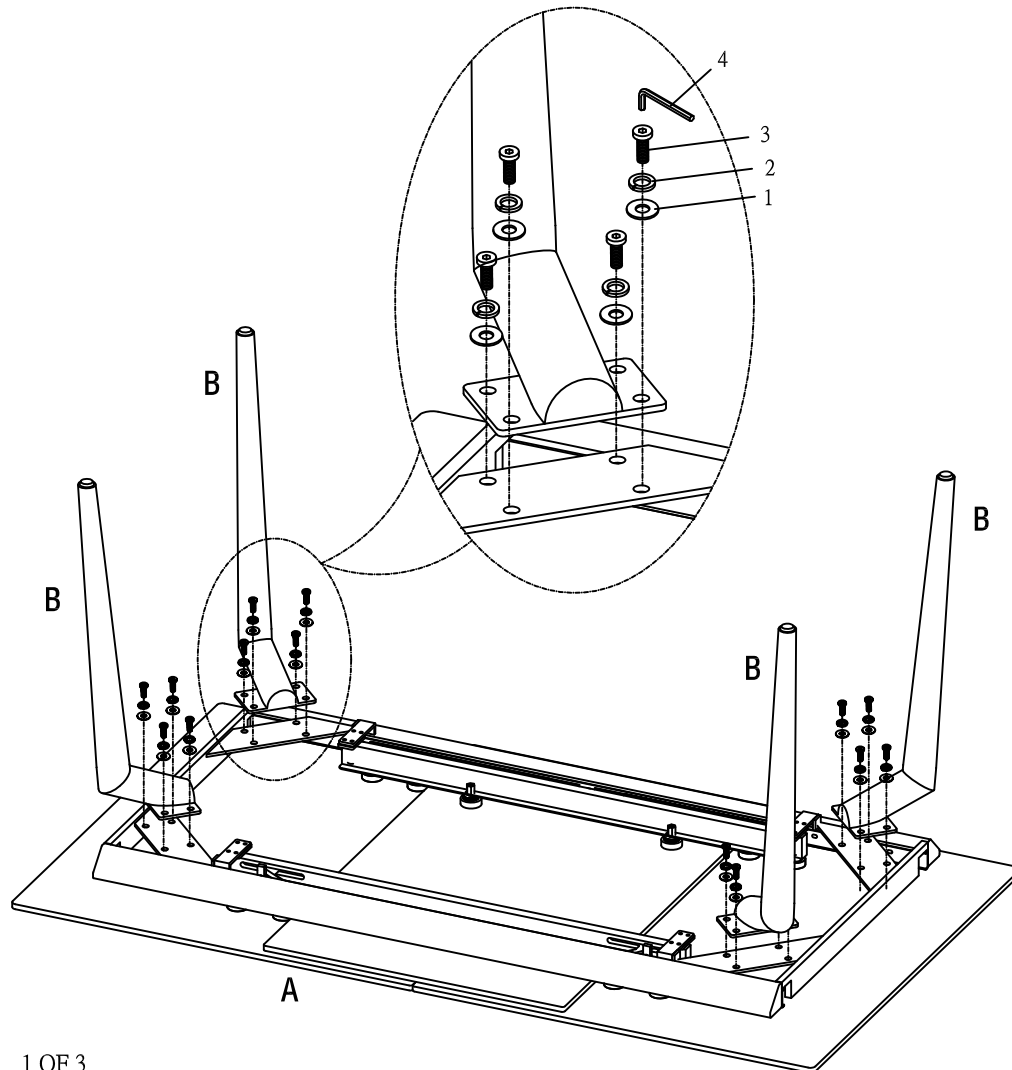




THANK YOU FOR PURCHASING THIS QUALITY PRODUCT.
BE SURE TO CHECK ALL PACKING MATERIAL CAREFULLY FOR SMALL PARTS THAT MAY HAVE COME LOOSE INSIDE THE CARTON DURING TRANSIT.

Step 1



PARTS LIST:

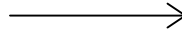
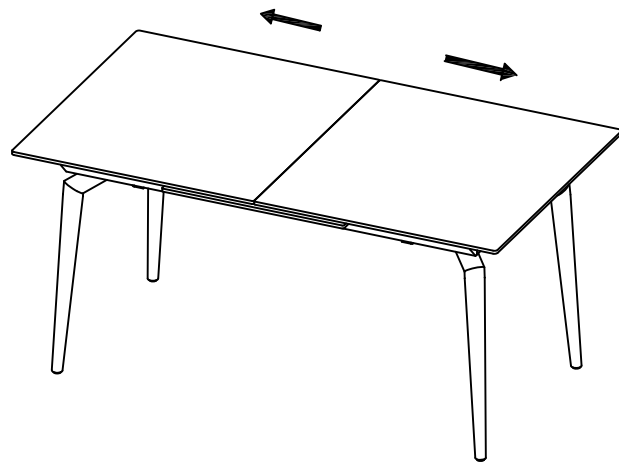
NO	DESCRIPTION	SIZE(mm)	SKETCH	QTY
A	CERAMIC GLASS TOP			1PC
B	LEG			4PCS

HARDWARE LIST:

NO	DESCRIPTION	SIZE(mm)	SKETCH	QTY
1	WASHER	M8		16PCS
2	SPRING WASHER	M8		16PCS
3	BOLT	M8x15		16PCS
4	ALLEN KEY	5		1PC
5	ALLEN KEY	8		1PC

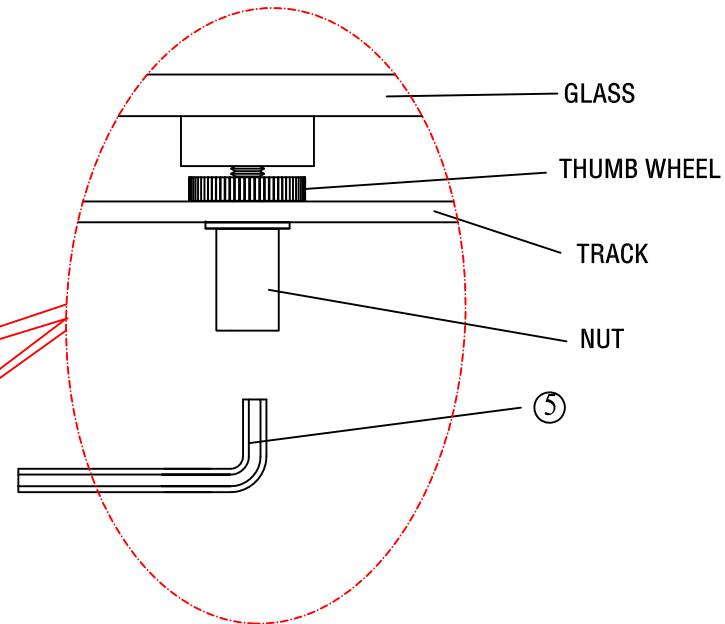
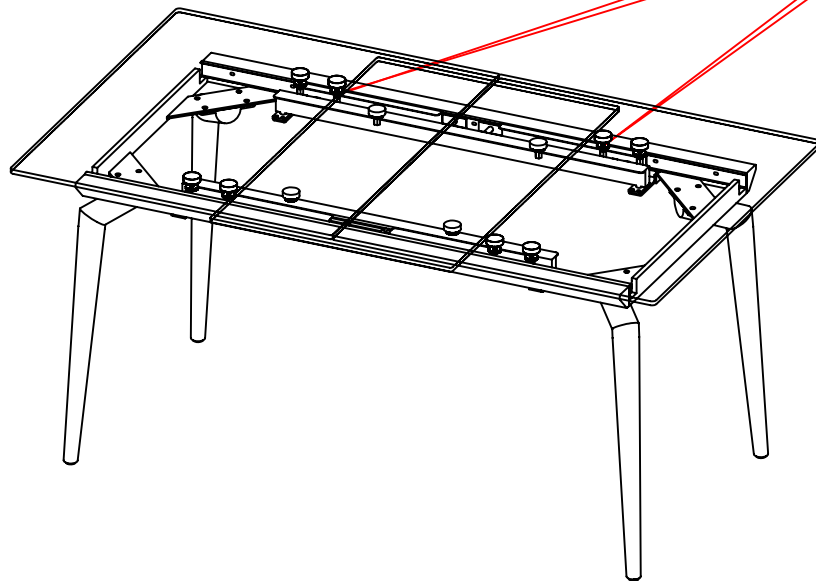


FINISH





Pay attention: Please hold the top frame when move the table, not just the glass top.



- A IF THE GLASS TOPS ARE NOT LEVELED WELL , PLEASE USE Ⓟ TO LOOSE THE NUT, AND TURN THE THUMB WHEEL TO LEVEL THE TOPS.
- B IF THE GLASS TOPS ARE NOT ALIGNED WELL , PLEASE USE Ⓟ TO LOOSE THE NUT, AND MOVE THE TOP A LITTLE BIT TO ALIGN THE TOPS.