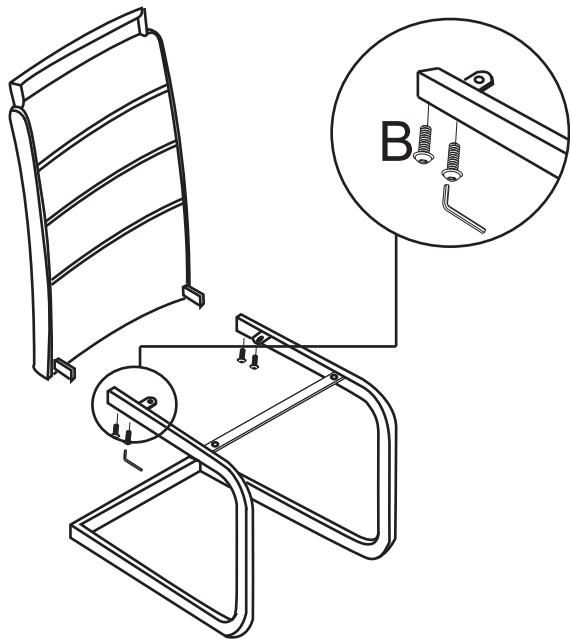
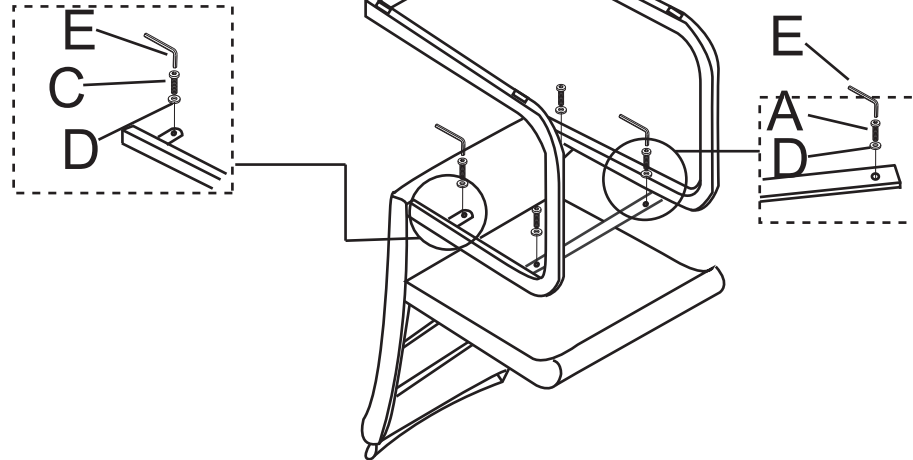


# ASSEMBLY INSTRUCTION

## STEP 1








## STEP 2



Note: Please do not tighten all bolts until the item is fully assembled. Once assembled tighten all bolts.  
Not for commercial use.

## HARDWARE

A		M6x20mm	2
B		M6x12mm	4
C		M6x16mm	2
D		Ø18* 1.5mm	4
E		4mm Ø	1