

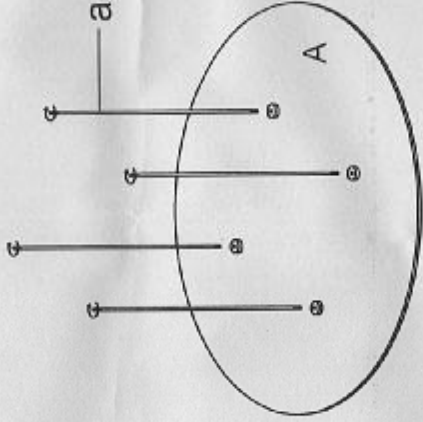


Chintaly Imports

ASSEMBLY INSTRUCTION
ITEM NO.:SUNNY-DT

THANK YOU FOR PURCHASING THIS QUALITY PRODUCT.
BE SURE TO CHECK ALL PACKING MATERIAL CAREFULLY FOR SMALL PARTS THAT MAY HAVE COME LOOSE INSIDE
THE CARTON DURING TRANSIT.

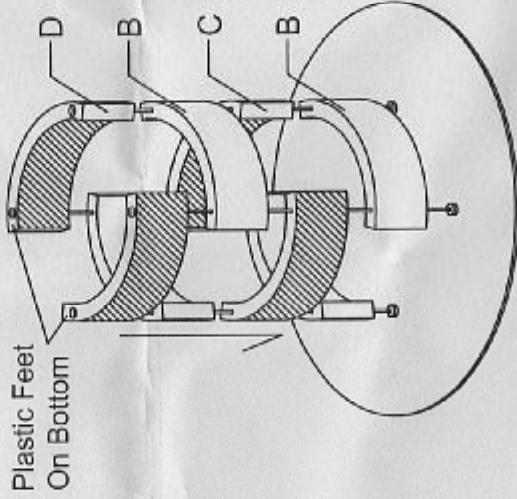
STEP 1



PART LIST:

No.	DESC	SIZE (MM)	SKETCH	QTY
A	TABLE GLASS TOP	Ø1220*10		1PC
B	TABLE LEG 1	533*168*183		4PCS
C	TABLE LEG 2	533*168*183		2PCS
D	TABLE LEG 3	533*168*183		2PCS

STEP 2

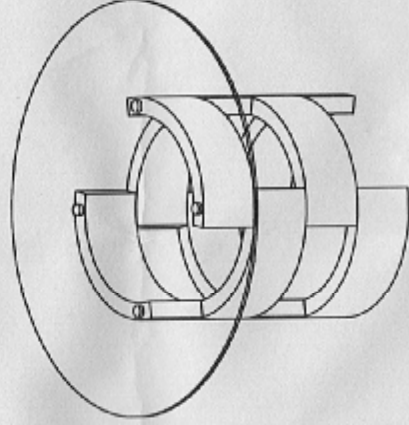
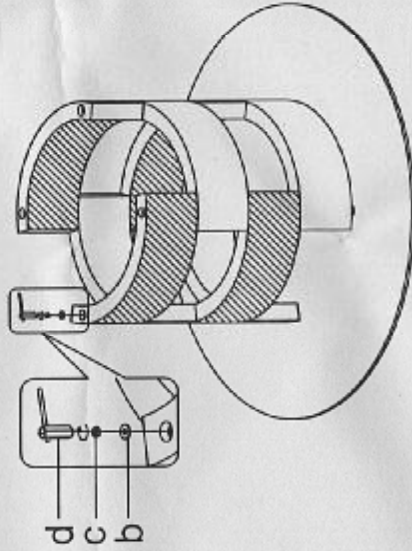


HARDWARE LIST:

No.	DESC	SIZE (MM)	SKETCH	QTY
a	SCREW	M8*740		4PCS
b	FLAT WASHER	Ø22*1.5		4PCS
c	NUT	M8		4PCS
d	SPANNER	M8		1PC

FINISHED

STEP 3



MADE IN CHINA