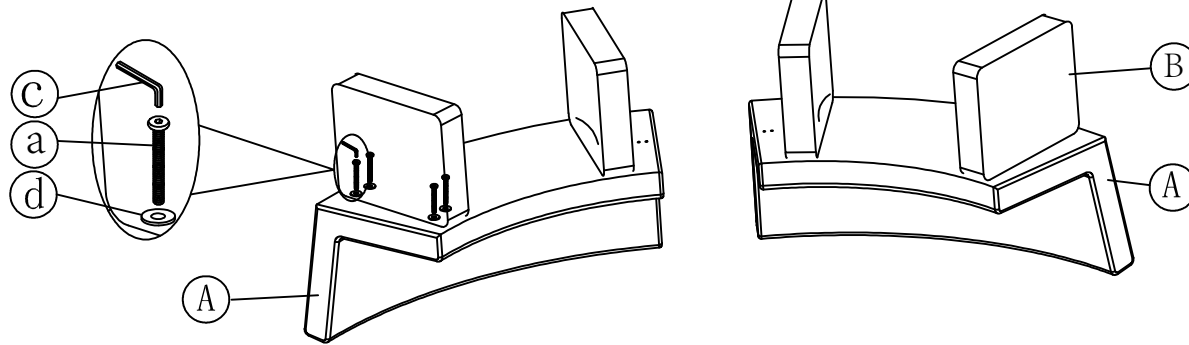




Thank you for purchasing this quality product. Be sure to check all packing material carefully for small parts that may have come loose inside the carton during shipment.

STEP 1



PARTS LIST:

NO	DESCRIPTION	SKETCH	QTY
A	2 SEATER		2PC
B	LEG		4PC
C	METAL PLATE		1PC

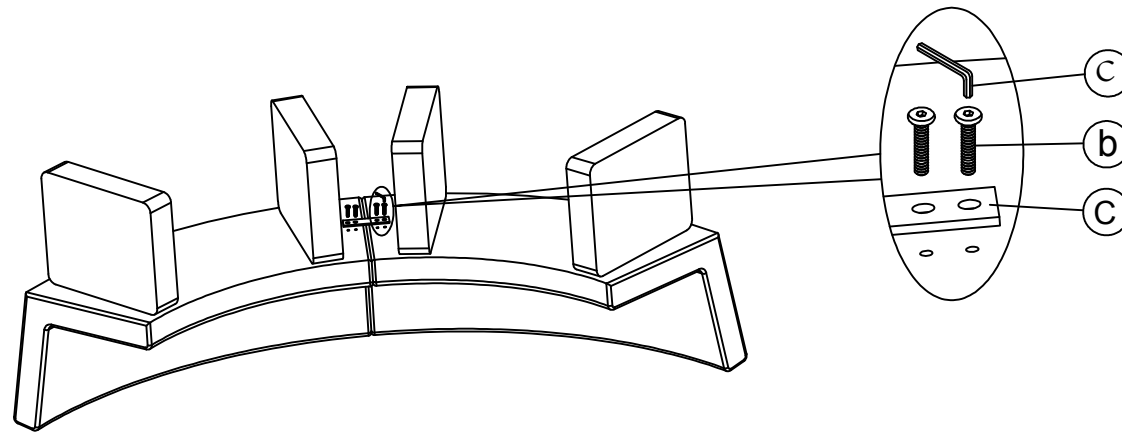
HARD WARE LIST:

NO	DESCRIPTION	SKETCH	QTY
a	LONG BOLT		16PC
b	SHORT BOLT		4PC
c	ALLEN KEY		1PC
d	FLAT WASHER		16PC



Thank you for purchasing this quality product. Be sure to check all packing material carefully for small parts that may have come loose inside the carton during shipment.

STEP 2



FINISH

