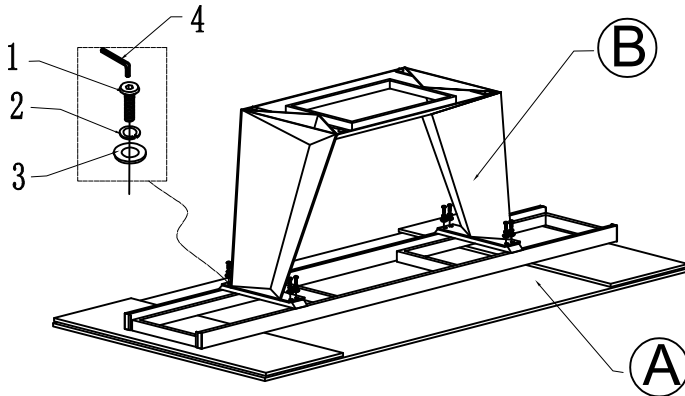




THANK YOU FOR PURCHASING THIS QUALITY PRODUCT.  
BE SURE TO CHECK ALL PACKING MATERIAL CAREFULLY FOR SMALL PARTS THAT MAY HAVE COME LOOSE INSIDE THE CARTON DURING TRANSIT.

STEP 1



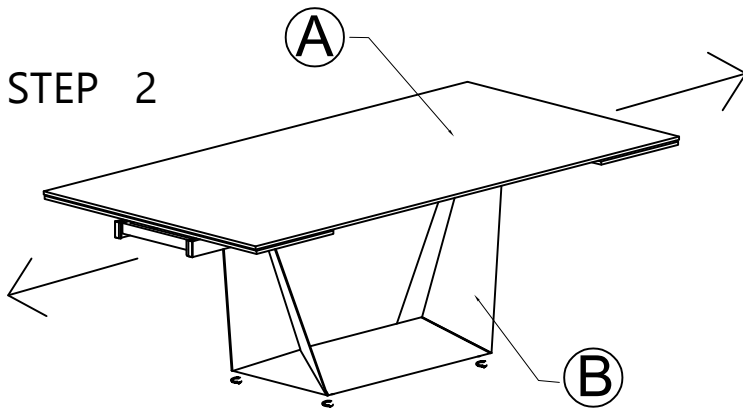
PART LIST

NO	DESC	SIZE (MM)	SKETCH	QTY
A	TOP	2200*1100*132		1PC
B	BASE	1200*500*620		1PC

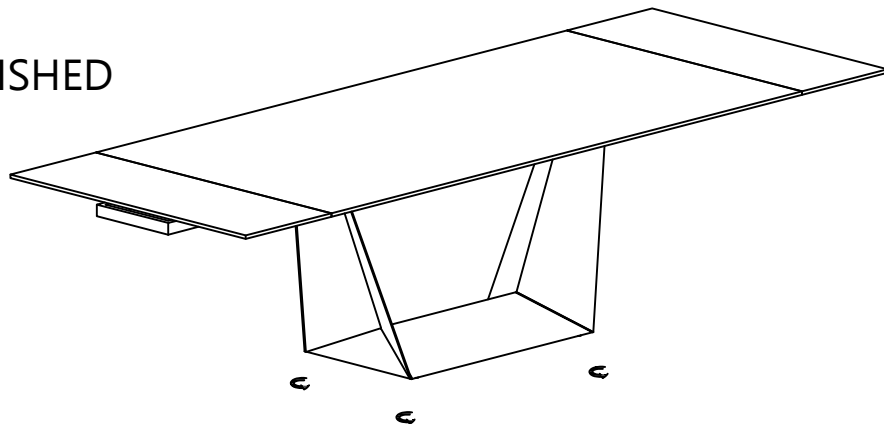
HARDWARE LIST

NO	DESC	SIZE(MM)	SKETCH	QTY
1	BOLT	M8*20		8PCS
2	SPRING WASHER	φ10.3		8PCS
3	FLAT WASHER	φ8.3		8PCS
4	SPANNER	5MM		1PC

STEP 2



FINISHED



ADJUST THE GLIDES IF NEEDED