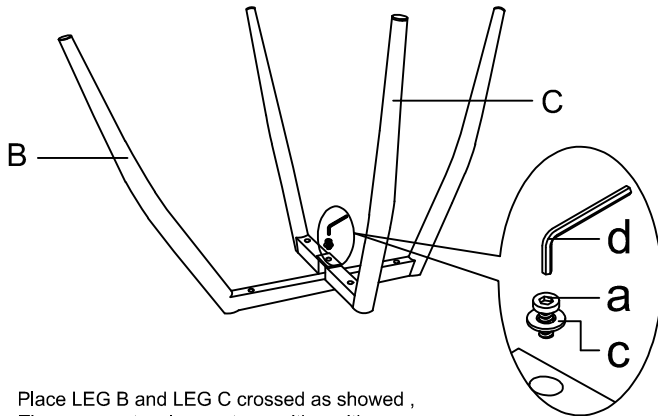




THANK YOU FOR PURCHASING THIS QUALITY PRODUCT.
BE SURE TO CHECK ALL PACKING MATERIAL CAREFULLY FOR SMALL PARTS THAT MAY HAVE COME LOOSE INSIDE THE CARTON DURING TRANSIT.

STEP 1



Place LEG B and LEG C crossed as showed ,
Then secure two leg centre position with
Bolt a at 80% tight.

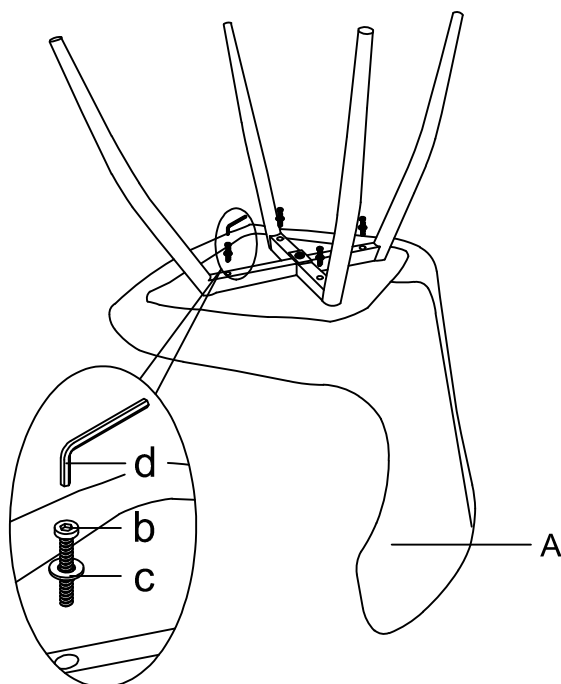
PART LIST:

No.	DESC	SIZE (MM)	SKETCH	QTY
A	CHAIR BACKREST & SEAT	540*460*510		1PC
B	LEG FRAME B	650*425*25		1PC
C	LEG FRAME C	650*425*25		1PC

HARDWARE LIST:

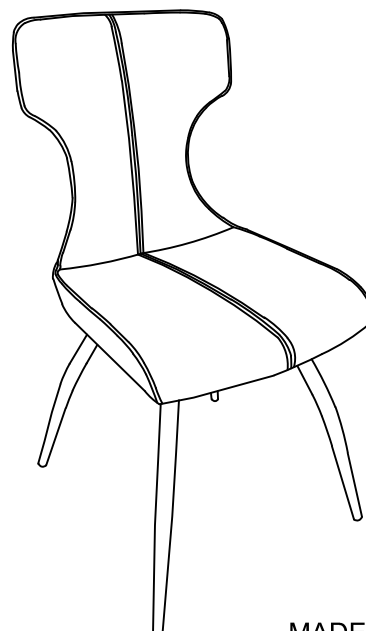
No.	DESC	SIZE (MM)	SKETCH	QTY
a		M6*15	BOLT	1PC
b		M6*40	BOLT	4PCS
c		ø16*1.5	FLAT WASHER	5PCS
d		4mm	ALLEN KEY	1PC

STEP 2



Secure each leg with BOLT b.
Then tighten all bolts

FINISHED



MADE IN CHINA