




VERSION: N437M

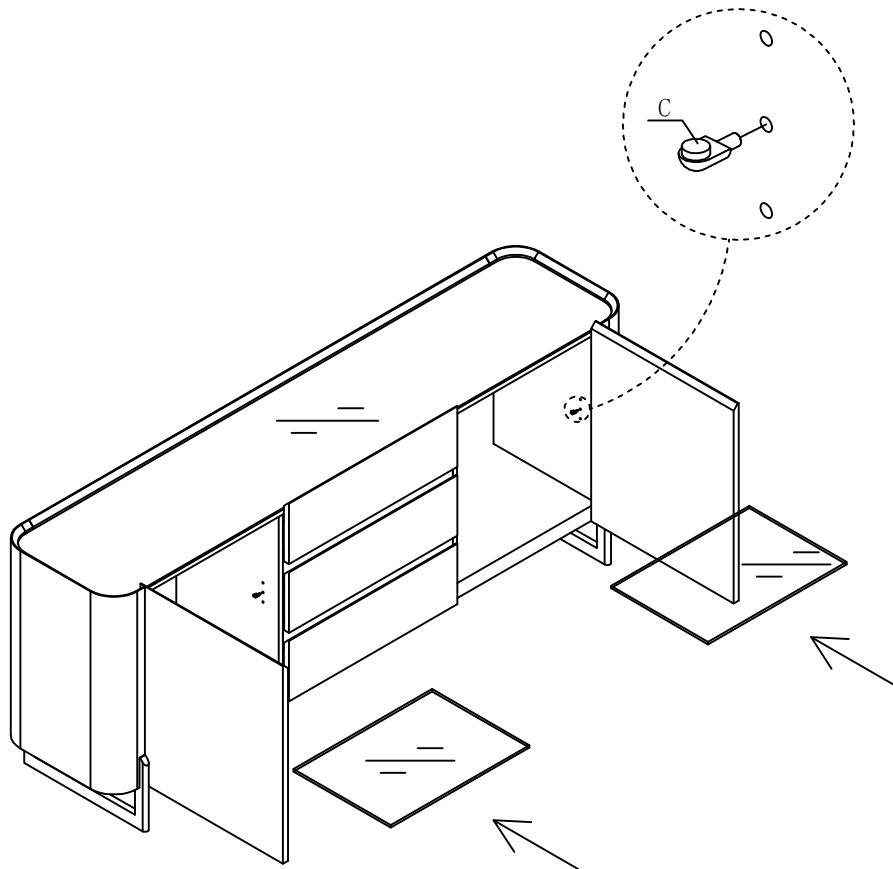
ASSEMBLY INSTRUCTION

SETTING FITTINGS

DR-N437M-01-A

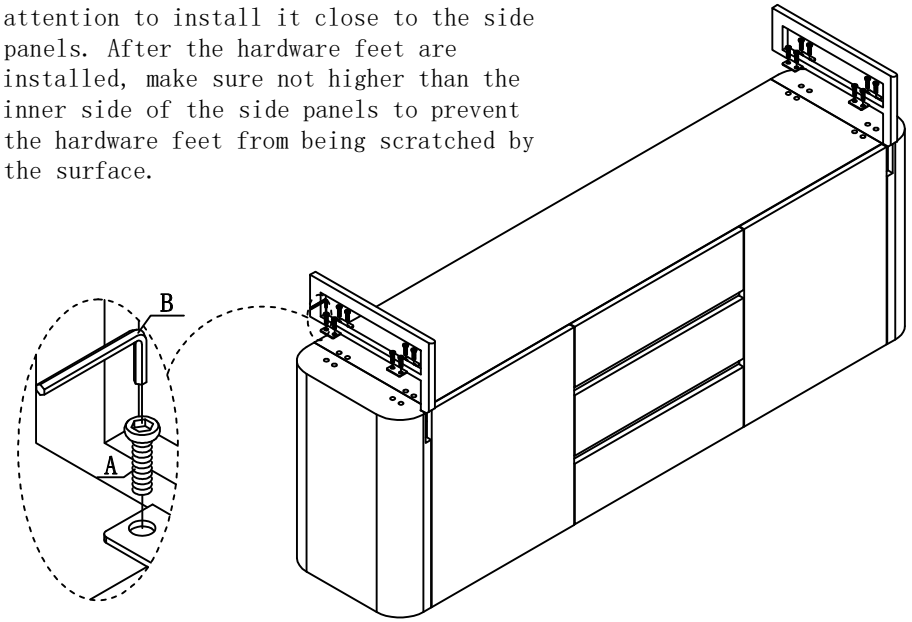
FITTINGS	SPEC.	AMOUNT	FITTINGS	SPEC.	AMOUNT
A	 M8x20	16pcs	B	 5mm	1pcs
C	 $\phi 5$	8pcs			

2



1

When installing the hardware feet, pay attention to install it close to the side panels. After the hardware feet are installed, make sure not higher than the inner side of the side panels to prevent the hardware feet from being scratched by the surface.



3

