

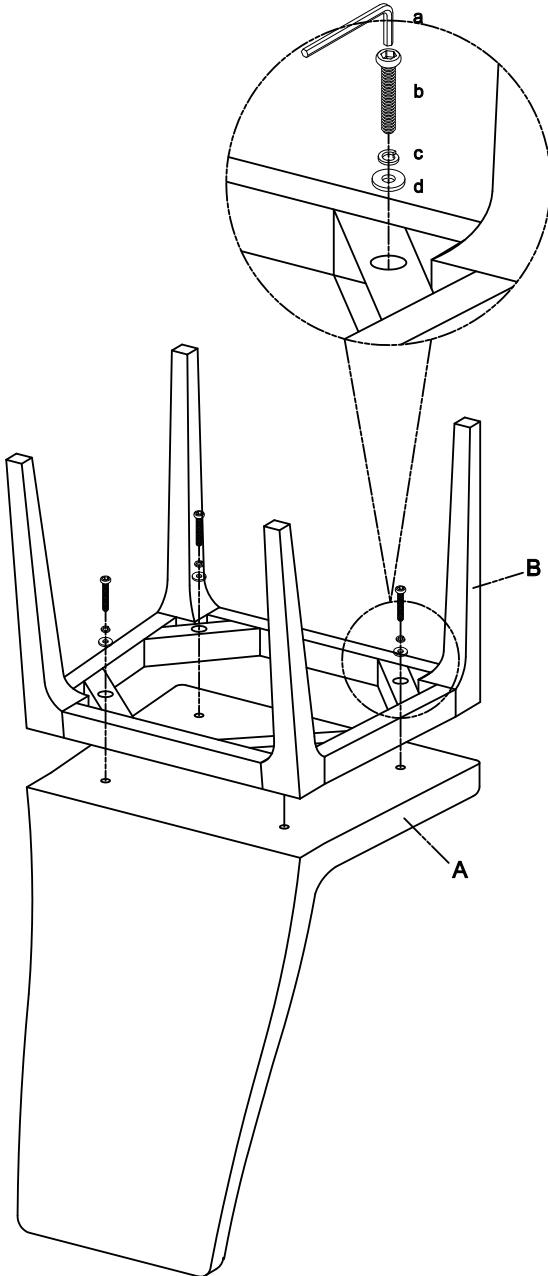


THANK YOU FOR PURCHASING THIS QUALITY PRODUCT.

BE SURE TO CHECK ALL PACKING MATERIAL CAREFULLY FOR SMALL PARTS THAT MAY HAVE COME LOOSE INSIDE THE CARTON DURING TRANSIT.

**STEP 1**

Place the seat on a soft cloth, then screwed the seat on the wood frame



**PART LIST**

NO	DESC	SIZE (MM)	SKETCH	QTY
A	Seat	490x470x600		1 PC
B	Wood Frame	460x450x430		1 PC

**HARDWARE LIST**

NO	DESC	SIZE (MM)	SKETCH	QTY
a	Allen Key	4mm		1PC
b	Bolt	6x50.8mm		4PCS
c	Spring Washer	6mm		4PCS
d	Flat Washer	6x19mm		4PCS

**FINISHED**

