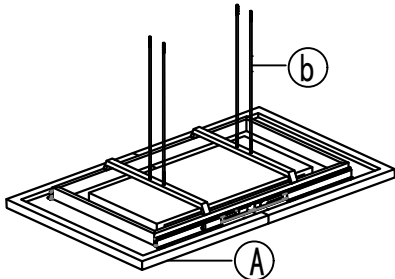




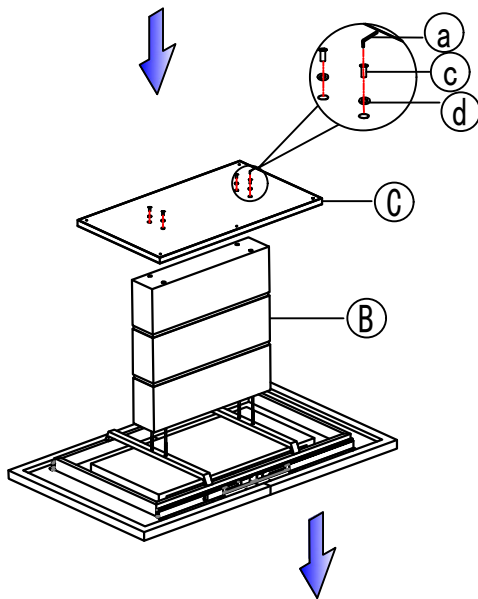
THANK YOU FOR PURCHASING THIS QUALITY PRODUCT.

BE SURE TO CHECK ALL PACKING MATERIAL CAREFULLY FOR SMALL PARTS THAT MAY HAVE COME LOOSE INSIDE THE CARTON DURING TRANSIT.

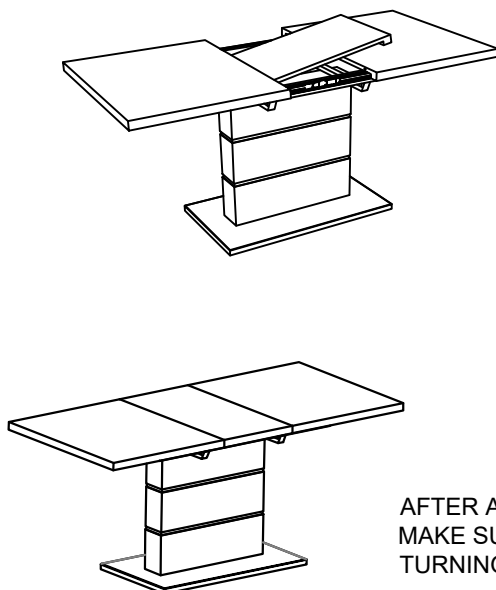
STEP 1



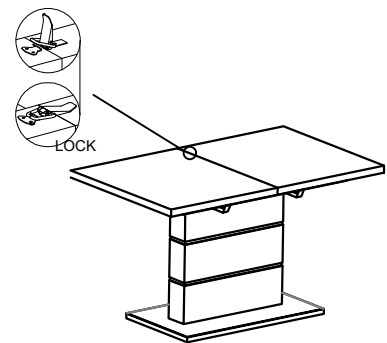
STEP 2



STEP 3



FINISHED



AFTER ASSEMBLED THE BASE TO THE TABLE TOP,  
MAKE SURE THE LATCHES ARE LOCKED BEFORE  
TURNING THE TABLE UPSIDE UP.

MADE IN CHINA

PART LIST

NO	DESC	SIZE (MM)	SKETCH	QTY
A	TOP	1300/1700X 800X129		1PC
B	COLUMN	600X120X604		1PC
C	BASE	835X485X26		1PC

HARDWARE LIST

NO	DESC	SIZE (MM)	SKETCH	QTY
a	SPANNER	5MM		1PC
b	LONG BOLT	M8x640		4PCS
c	NUT	M8		4PCS
d	FLAT WASHER	φ22×11		4PCS