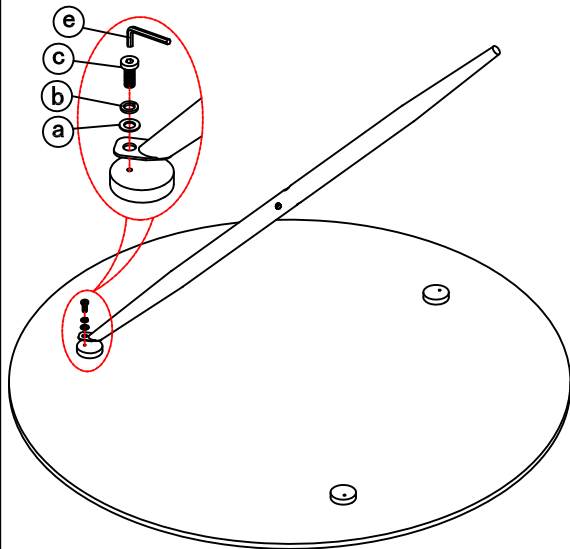
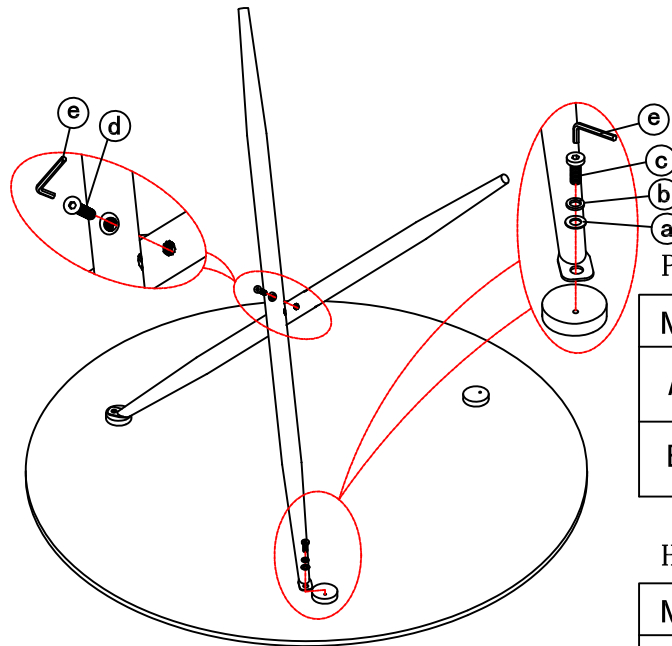






Step 1





Step 2



PARTS LIST:

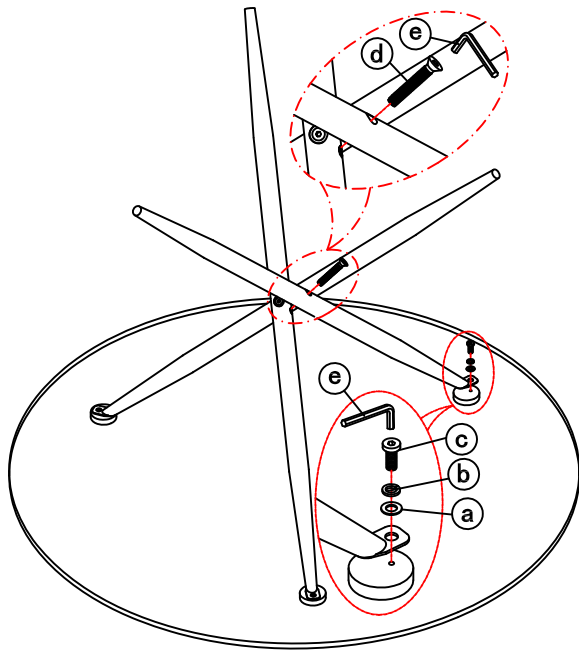
NO	DESCRIPTION	SKETCH	QTY
A	LEG		3PCS
B	GLASS TOP		1PC

HARDWARE LIST:

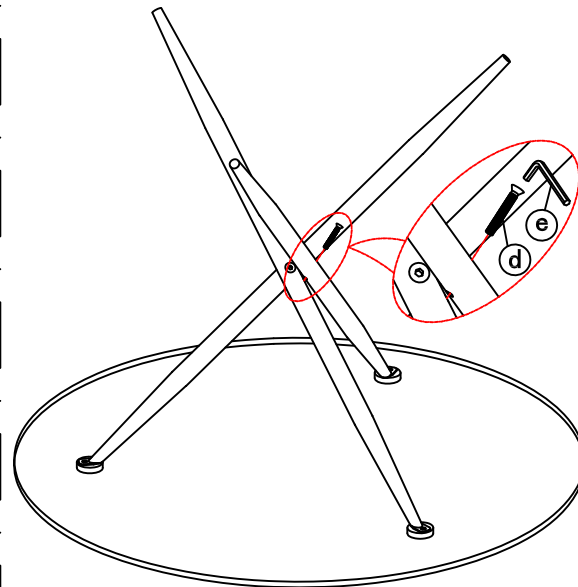
NO	DESCRIPTION	SKETCH	QTY
a	WASHER		3PCS
b	SPRING WASHER		3PCS
c	SHORT SCREW		3PCS
d	LONG SCREW		3PCS
e	ALLEN KEY		1PC



Step 3



Step 4



FINISH

