



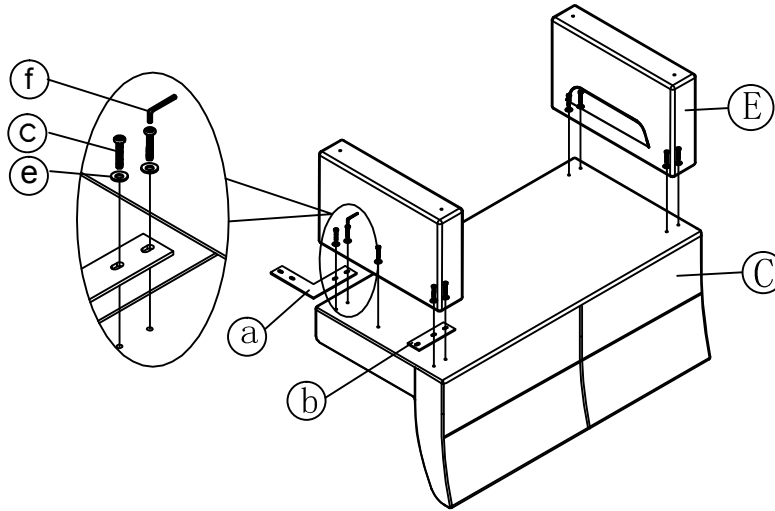
Chintaly Imports

Assembly Instruction

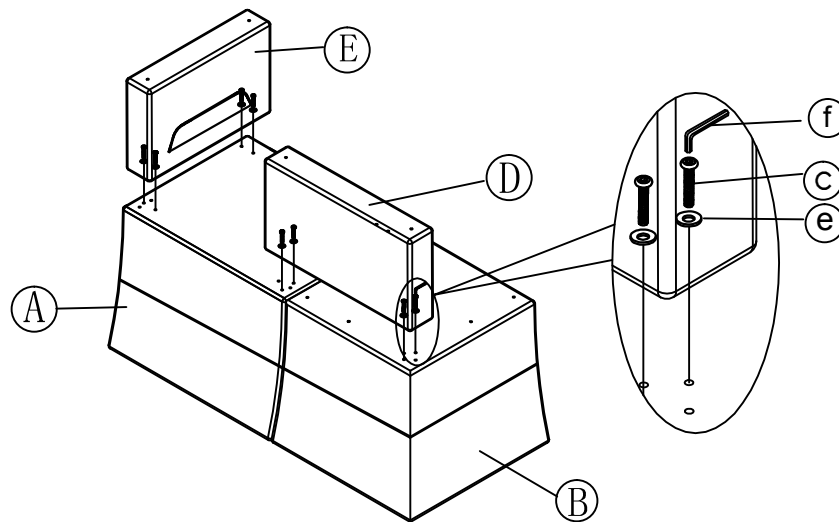
ITEM NO: NATASHA-NOOK

Thank you for purchasing this quality product. Be sure to check all packing material carefully for small parts that may have come loose inside the carton during shipment.

STEP 1



STEP 2



PARTS LIST:

NO	DESCRIPTION	SKETCH	QTY
A	2 SEATER		1PC
B	CORNER		1PC
C	3 SEATER		1PC
D	LEG_1		1PC
E	LEG_2		3PC

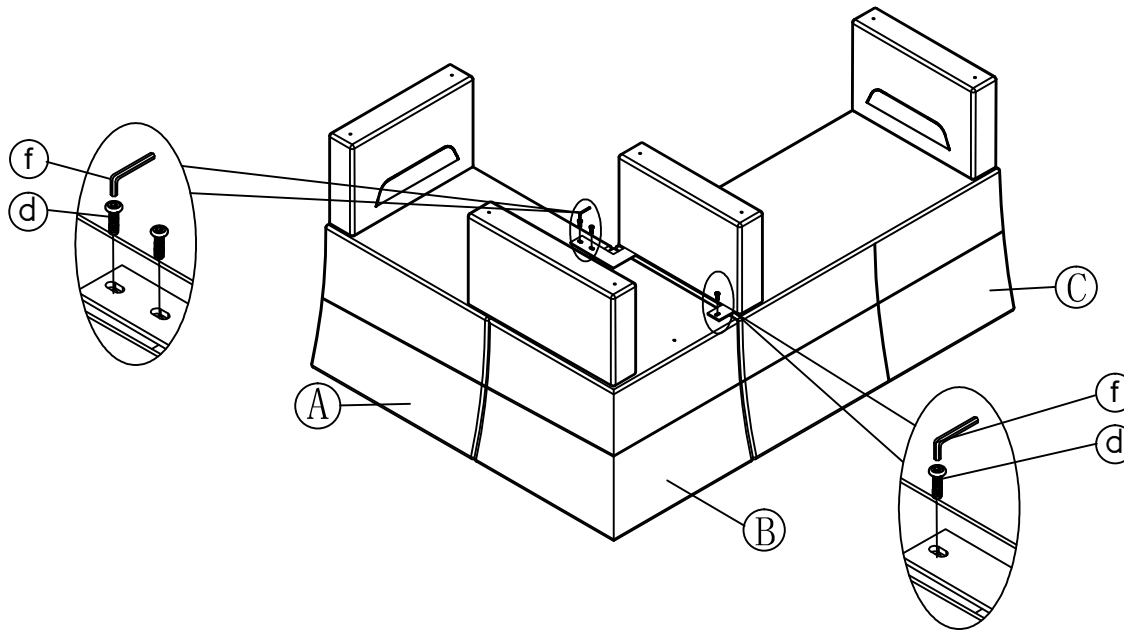
HARD WARE LIST:

NO	DESCRIPTION	SKETCH	QTY
a	METAL CONNECTOR		1PC
b	METAL CONNECTOR		1PC
c	LONG BOLT	M8 × 60	17PC
d	SHORT BOLT	M8 × 25	3PC
e	FLAT WASHER	$\phi 20 / \phi 8$	17PC
f	ALLEN KEY	5#	1PC



Thank you for purchasing this quality product. Be sure to check all packing material carefully for small parts that may have come loose inside the carton during shipment.

STEP 3



FINISH

