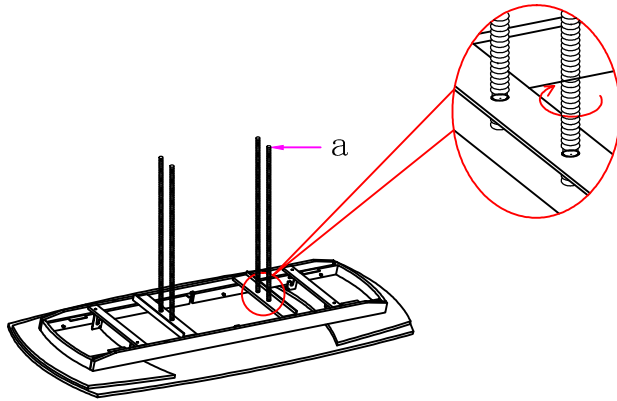




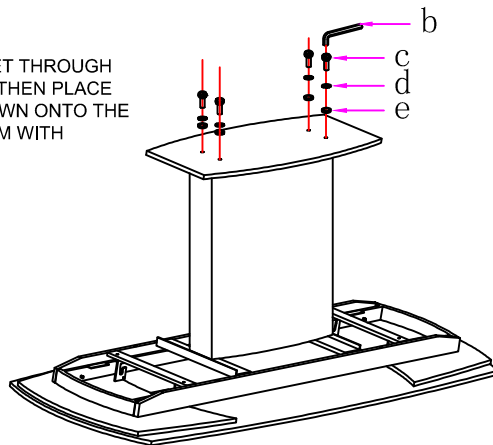
THANK YOU FOR PURCHASING THIS QUALITY PRODUCT.
BE SURE TO CHECK ALL PACKING MATERIAL CAREFULLY FOR SMALL PARTS THAT MAY HAVE COME LOOSE
INSIDE THE CARTON DURING TRANSIT.

STEP1 REVOLVE THE LONG BOLT(a) TO THE TOP

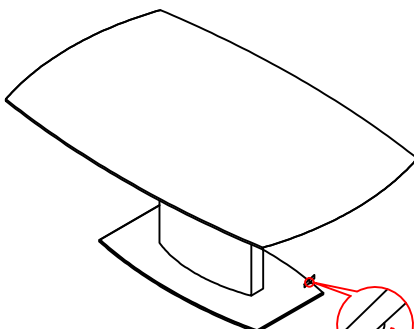
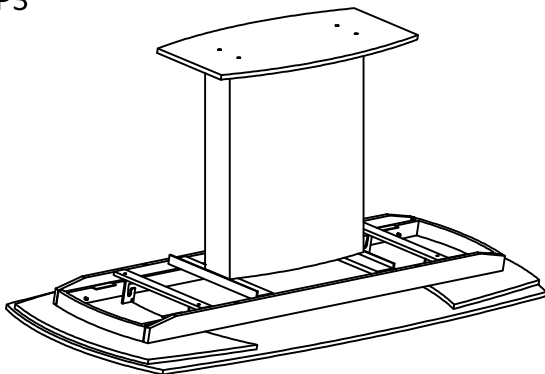


STEP2

PLACE THE PILLAR GET THROUGH TO THE LONG BOLTS; THEN PLACE THE BASE UPSIDE DOWN ONTO THE PILLAR, FASTEN THEM WITH (e),(d),(c)by(b).



STEP3



FINISHED

ADJUST THE GLIDES TO LEVEL THE TABLE IF NEEDED

PART LIST

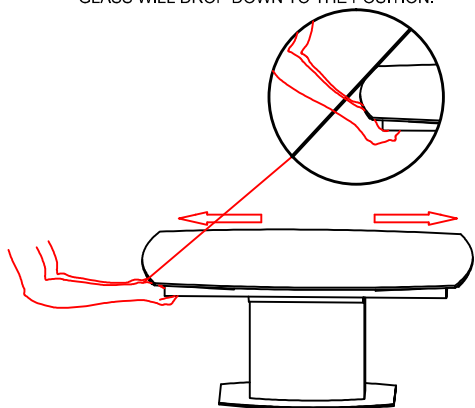
NO	DESC	SIZE (MM)	SKETCH	QTY
A	TOP	1600*1000*100		1PC
B	PILLAR	510*200*620		1PC
C	BASE	750*480*20		1PC

HARDWARE LIST

NO	DESC	SIZE (MM)	SKETCH	QTY
a	LONG BOLT	M8*635		4PCS
b	ALLENKEY	5mm		1PC
c	SCREW	8mm		4PCS
d	SPRING WASHER	10mm		4PCS
e	FLAT WASHER	10mm		4PCS
f	ALLENKEY	4mm		1PC

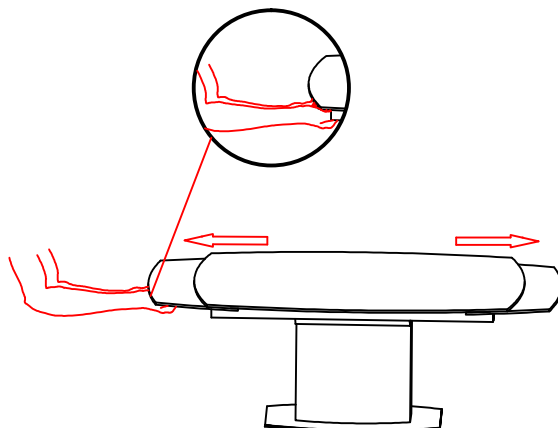
USER MANUAL

1. HOLD THE METAL BAR UNDERNEATH THE SIDE GLASS, HORIZONTALLY PULL OUT AND PUSH IN THE SIDE GLASS, BE AWARE OF THE SIDE GLASS WILL DROP DOWN TO THE POSITION.

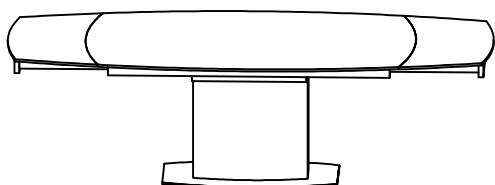


ATTENTION : DO NOT lift up the extension glass when pull it out.

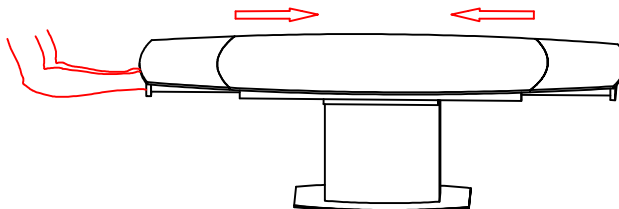
2.



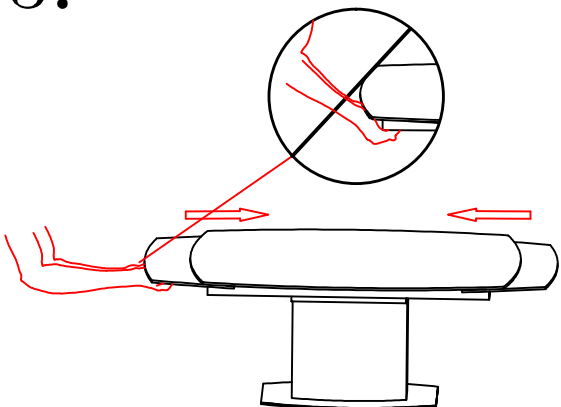
3.



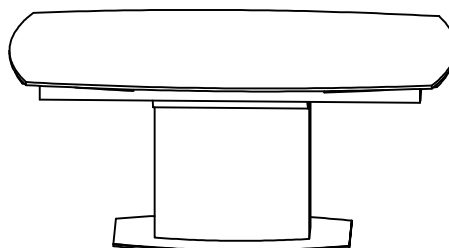
4. CLOSE: Hold the middle of the stand bar with both hands and then push the extension glass



5. ATTENTION: The hands must be hold the MIDDLE of the stand bar when close the table

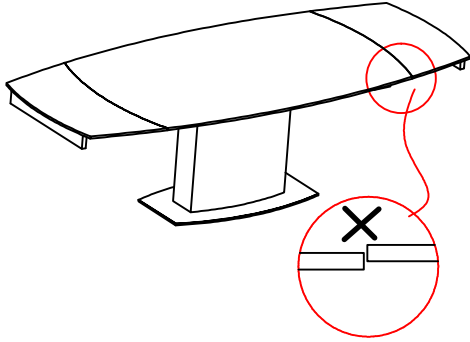


6.



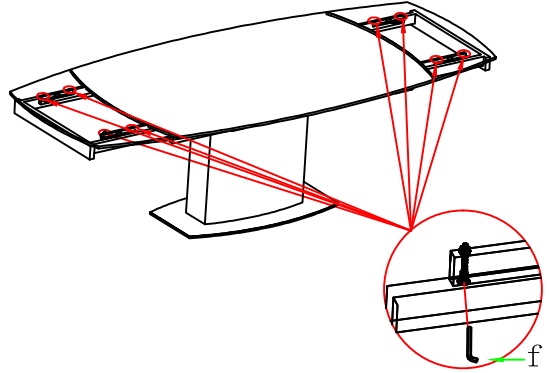
ADJUSTMENT

1.



2.

Please use the spanner e to loosen the nut of side glass



3.

Turning the thumb wheel to adjust the length of the bolt to make the side glass on the same level line with the middle glass.

