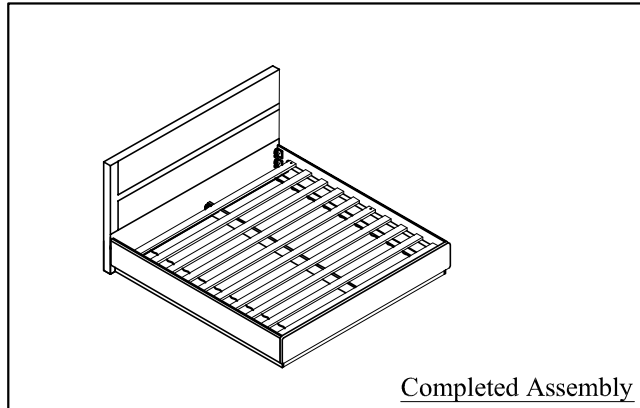


# Assembly Instruction

Model No: **MANILA-BED**

Thank you for purchasing this quality product.  
Please check all packing material carefully which may have come loose inside the carton during shipment.


Step : 1

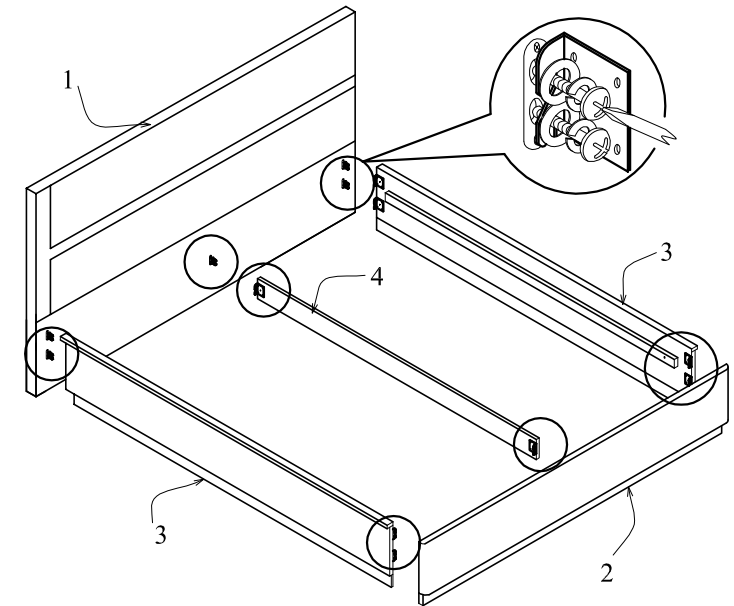


## PART LIST

No	Description	Qty
1	Headboard	1pc
2	Footboard	1pc
3	Side Rail	2pcs
4	Center Rail	1pc
5	Slat	1set

## HARDWARE LIST

No	Description	Qty
A	CSK Screw M4 x 32mm 	6pcs



Step : 2

