

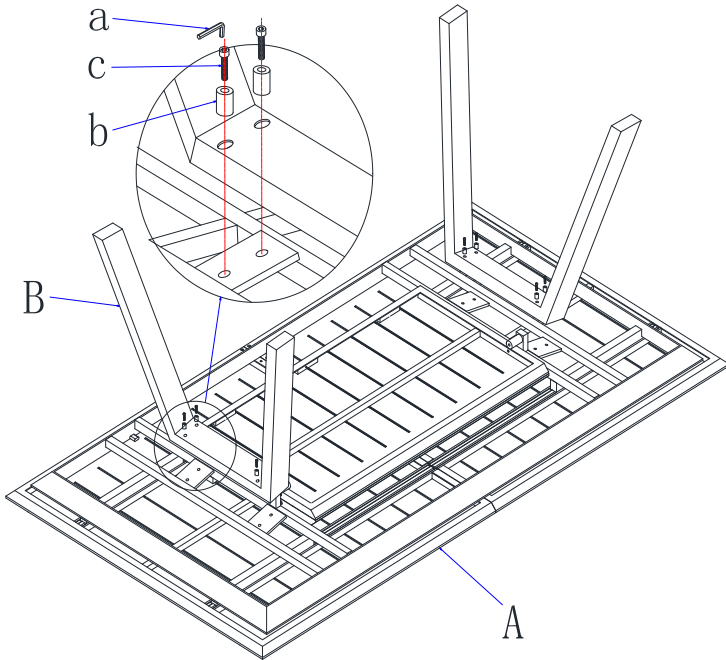


Chintaly Imports

ASSEMBLY INSTRUCTION  
ITEM NO. : MALIBU-DT-WHT-EXT

THANK YOU FOR PURCHASING THIS QUALITY PRODUCT.  
BE SURE TO CHECK ALL PACKING MATERIAL CAREFULLY FOR SMALL PARTS THAT MAY HAVE COME LOOSE INSIDE THE CARTON DURING TRANSIT.

STEP 1



PART LIST

NO	DESC	SIZE (MM)	SKETCH	QTY
A	Top	1600*900*143		1PC
B	Leg	787*704*80		2PCS

HARDWARE LIST

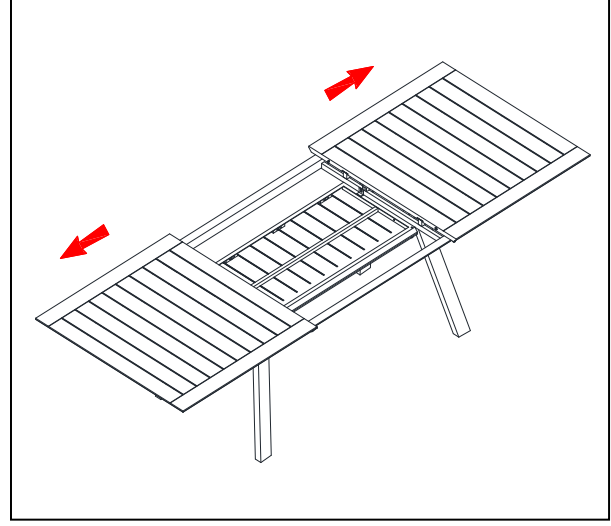
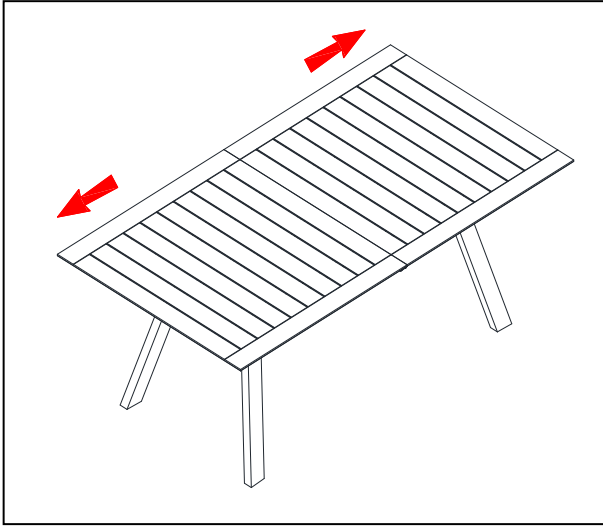
NO	DESC	SIZE (MM)	SKETCH	QTY
a	Spanner	6MM		1PC
b	Flat	φ 15* φ 8.3*22		8PCS
c	Screw	787*704*80		8PCS

STEP 2 Finished

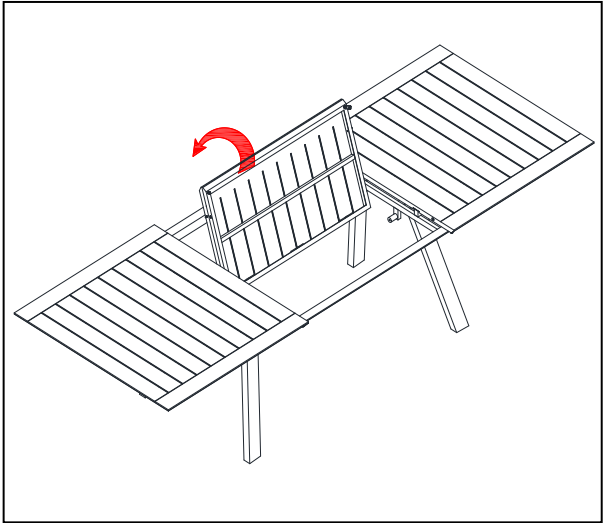


# USER MANUAL

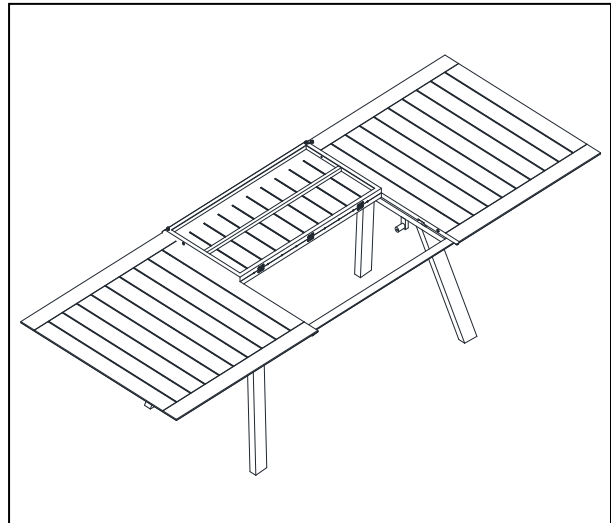
1. Spread the table top.



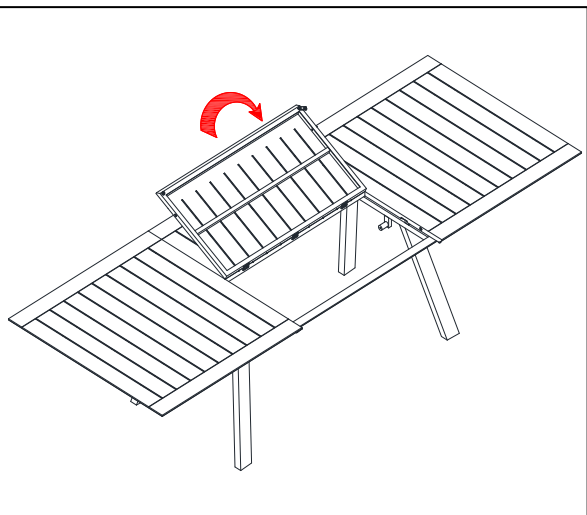
2. Please gently hold the 2 leaves together to turn over.



3. Put the two leaves on one side.



4. Open one leaf to the other side



5. Close the table top.

