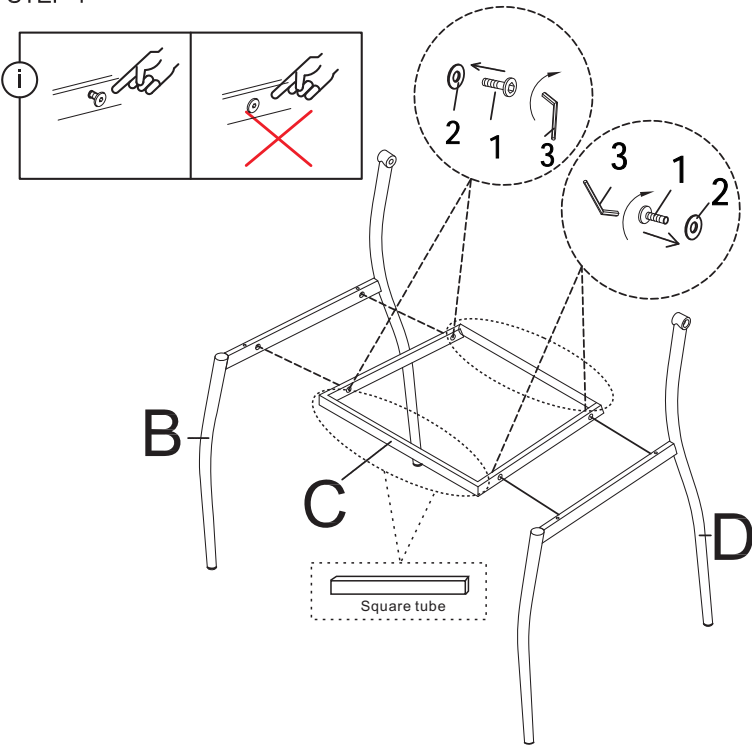


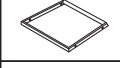

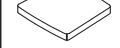


THANK YOU FOR PURCHASING THIS QUALITY PRODUCT.
BE SURE TO CHECK ALL PACKING MATERIAL CAREFULLY FOR SMALL PARTS THAT MAY HAVE COME LOOSE INSIDE THE CARTON DURING TRANSIT.

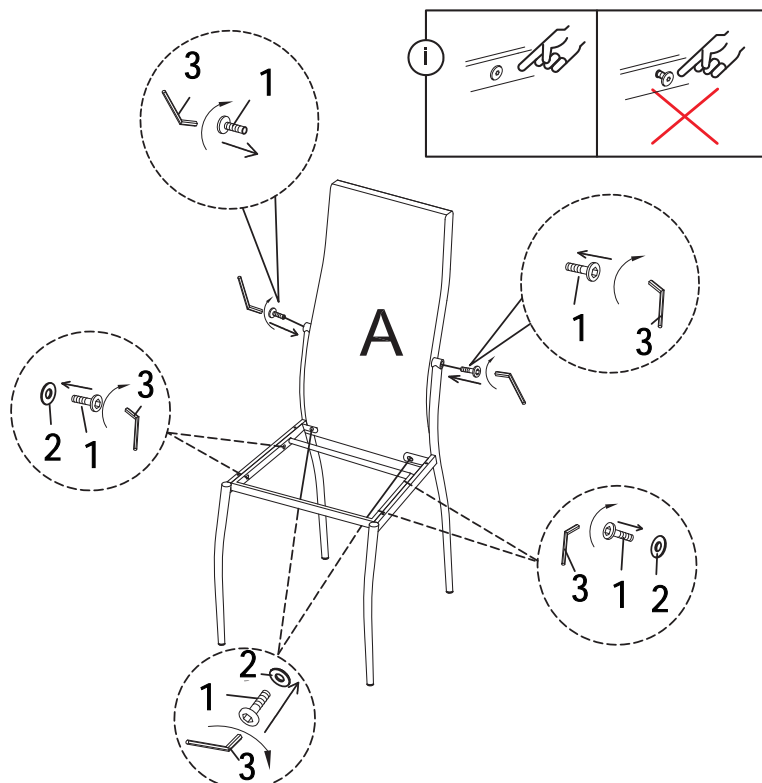
STEP 1






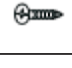

PART LIST

NO	DESC	SIZE (MM)	SKETCH	QTY
A	BACK	300x600x30		1PC
B	Left leg	450x55x690		1PC
C	Frame	350x200x15		1PC
D	Right leg	450x55x690		1PC
E	BASE	430x420x45		1PC

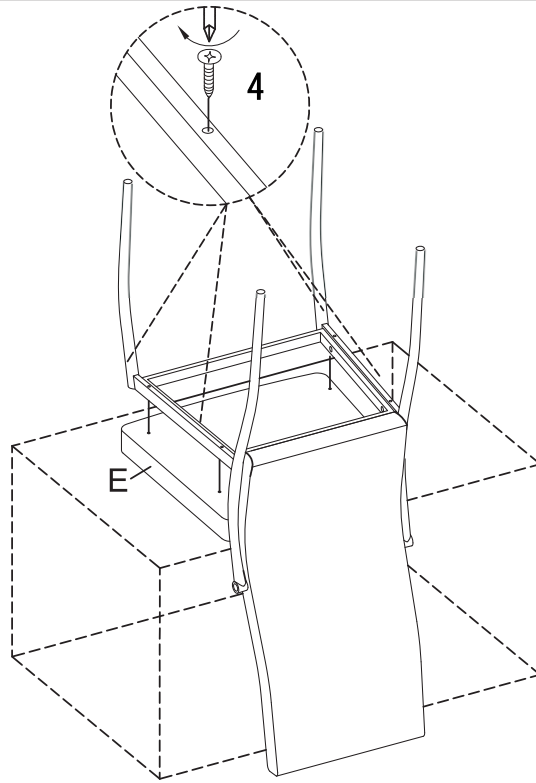
STEP 2



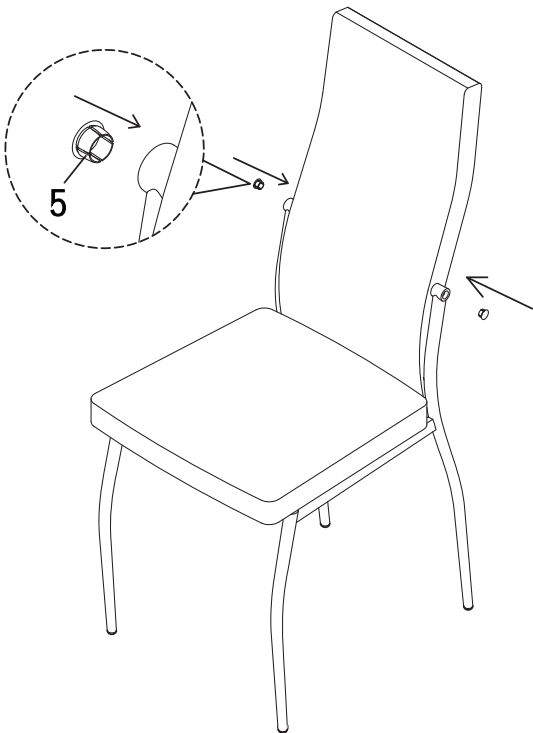
HARDWARE LIST

NO	DESC	SIZE (MM)	SKETCH	QTY
1	SCREW	M6x20		8PCS
2	PLAT WAHER	Ø6xØ16		6PCS
3	SPANNER	M5		1PC
4	SCREW	M4x35		4PCS
5	Plug			2PCS

STEP 3



STEP 4



FINISH

