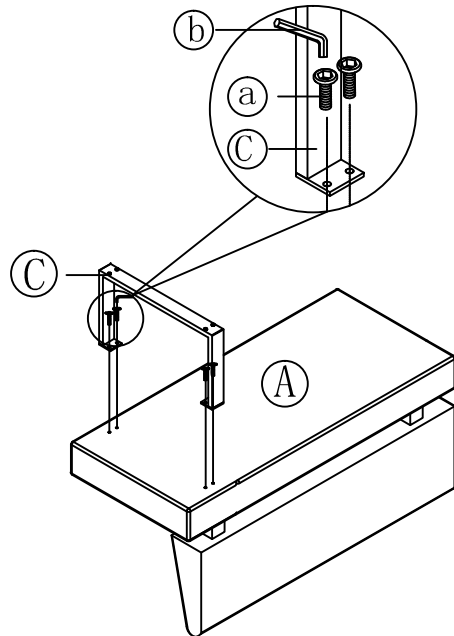
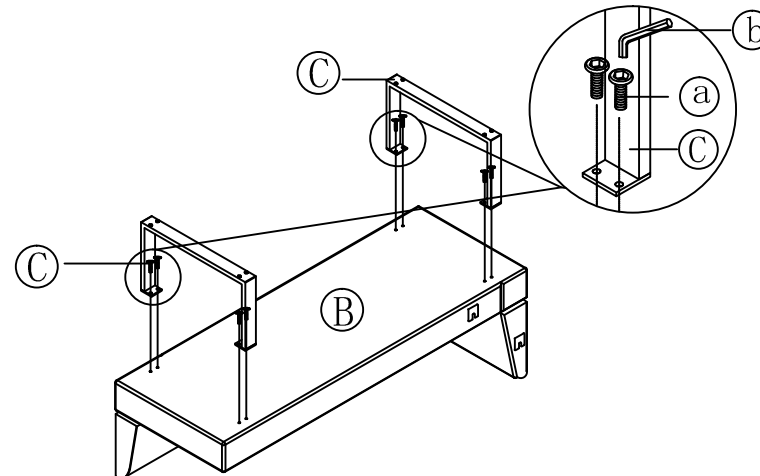


Thank you for purchasing this quality product. Be sure to check all packing material carefully for small parts that may have come loose inside the carton during shipment.

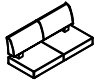
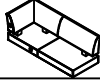

STEP 1





STEP 2



PARTS LIST:

NO	DESCRIPTION	SKETCH	QTY
A	3 SEATER		1PC
B	CORNER		1PC
C	METAL LEG		3PC

HARD WARE LIST:

NO	DESCRIPTION	SKETCH	QTY
a	SCREW	 M8x25	12PC
b	ALLENS WRENCH	 5#	1PC

FINISHED

STEP 3

