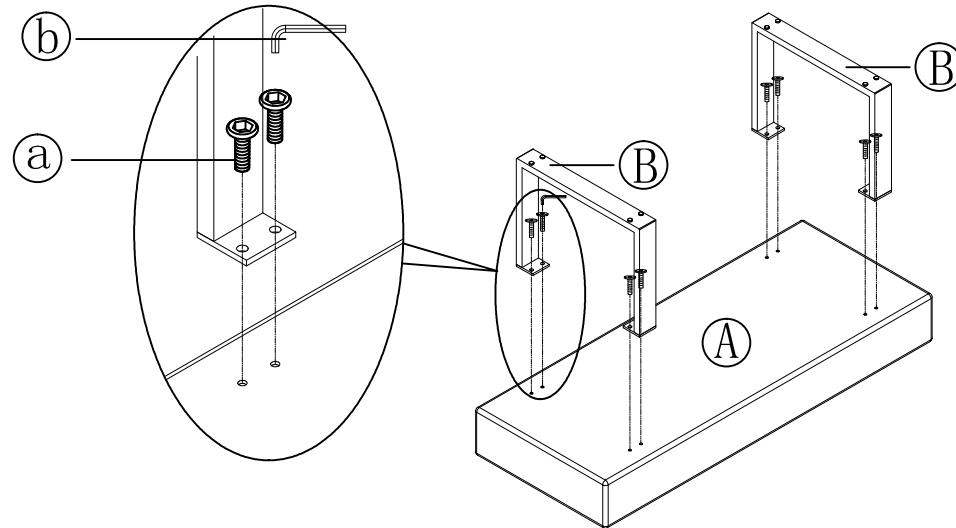
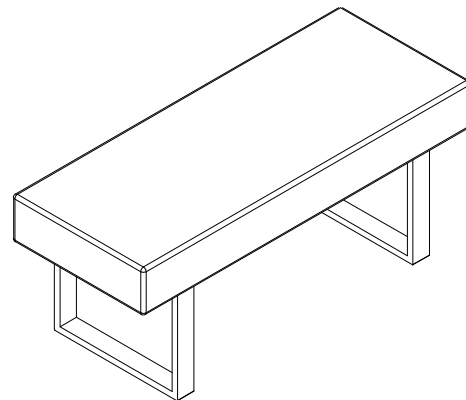


Thank you for purchasing this quality product. Be sure to check all packing material carefully for small parts that may have come loose inside the carton during shipment.

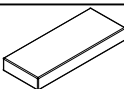
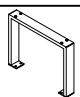
### STEP 1





**FINISHED**



### PARTS LIST:

NO	DESCRIPTION	SKETCH	QTY
A	Bench		1PC
B	Metal leg		2PC

### HARD WARE LIST:

NO	DESCRIPTION	SKETCH	QTY
a	SCREW	 M8x35	8PC
b	ALLENS WRENCH	 5#	1PC