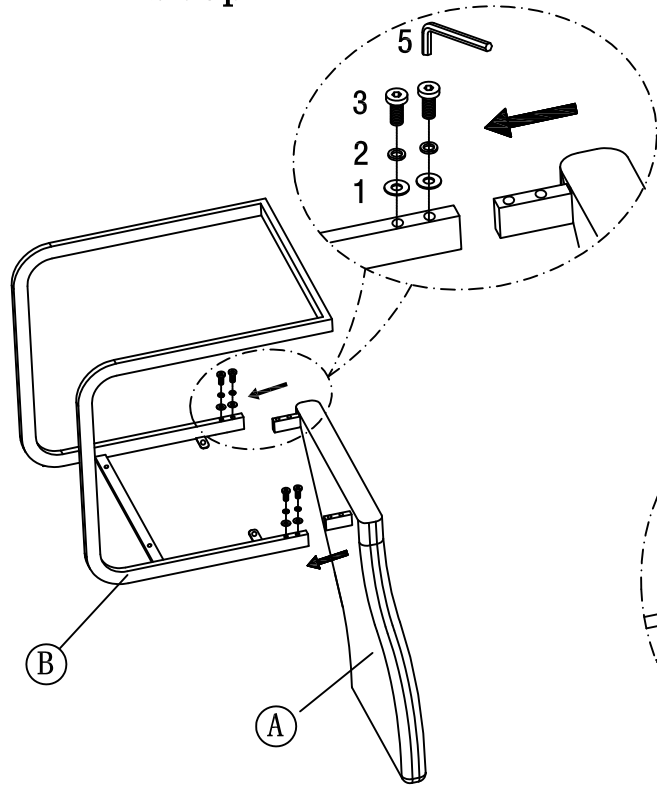
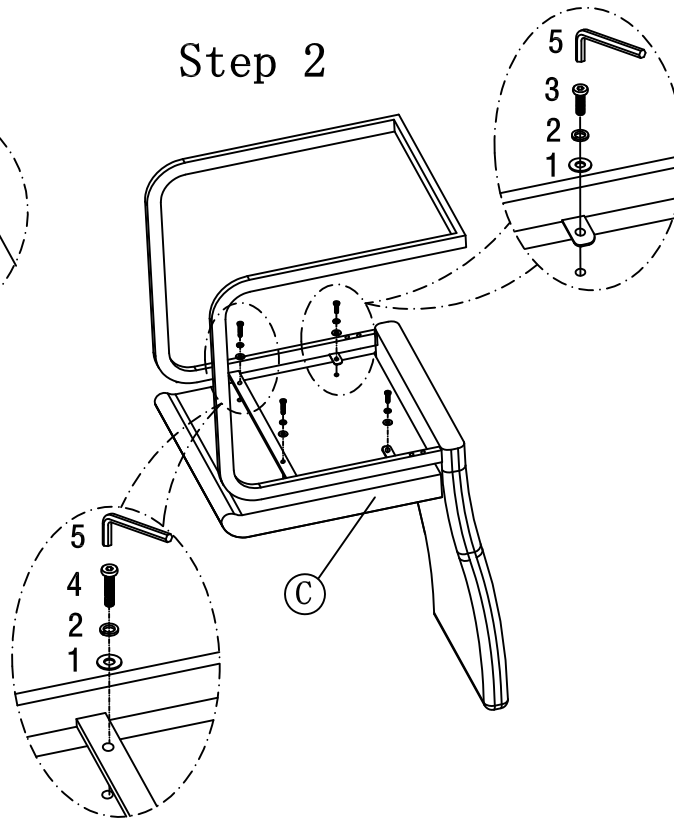




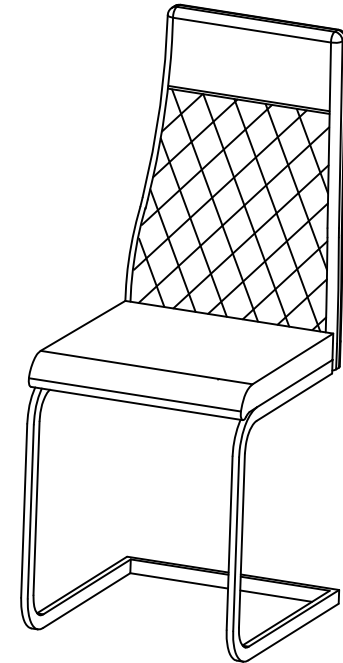
Step 1



Step 2



FINISH



PARTS LIST:

NO	DESCRIPTION	SIZE(mm)	SKETCH	QTY
A	BACK	390x620		1PC
B	FRAME	445x530x410		1PC
C	SEAT	460x450x60		1PC

HARDWARE LIST:

NO	DESCRIPTION	SIZE(mm)	SKETCH	QTY
1	WASHER	1/4"		8PCS
2	SPRING WASHER	1/4"		8PCS
3	BOLT	1/4"x18		6PCS
4	BOLT	1/4"x25		2PCS
5	ALLEN KEY	4		1PC