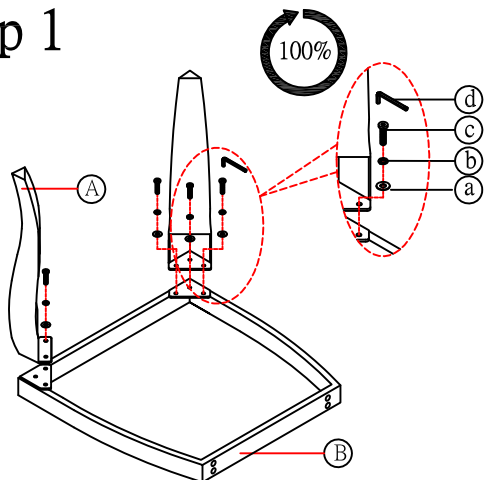




THANK YOU FOR PURCHASING THIS QUALITY PRODUCT.

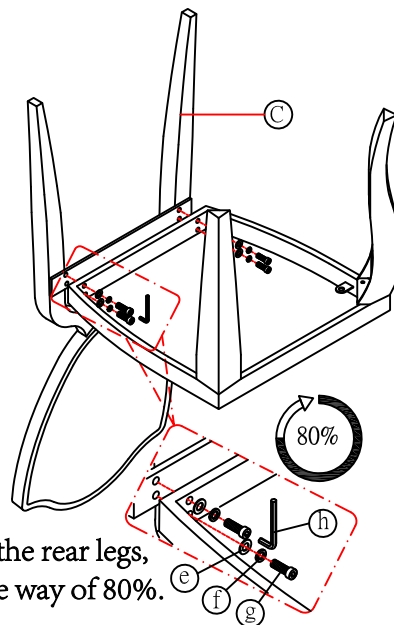
BE SURE TO CHECK ALL PACKING MATERIAL CAREFULLY FOR SMALL PARTS THAT MAY HAVE COME LOOSE INSIDE THE CARTON DURING TRANSIT.

### Step 1



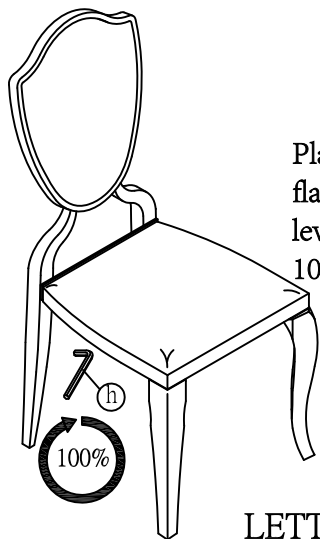
Assembly the front legs , 100% tighten.

### Step 2



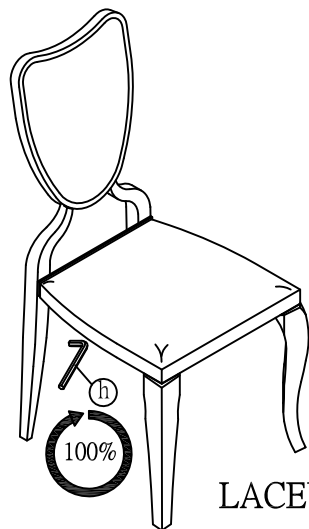
Assembly the rear legs,  
tight in the way of 80%.

### FINISH



LETTY-SC

Place the chair upright on the flat ground , when all legs are leveled on the ground , then 100% tighten the rear legs.



LACEY-SC

### PARTS LIST:

NO	DESCRIPTION	SKETCH	QTY
A	LEG		2PCS
B	SEAT CUSHION		1PC
C	BACK		1PC

### HARDWARE LIST:

NO	DESCRIPTION	SKETCH	QTY
a	WASHER 13MM		6PCS
b	SPRING WASHER		6PCS
c	SMALL BOLT		6PCS
d	ALLEN KEY 4mm		1PC
e	WASHER 16MM		4PCS
f	SPRING WASHER		4PCS
g	LARGE BOLT		4PCS
h	ALLEN KEY 5mm		1PC