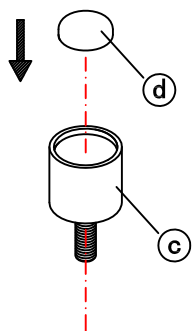


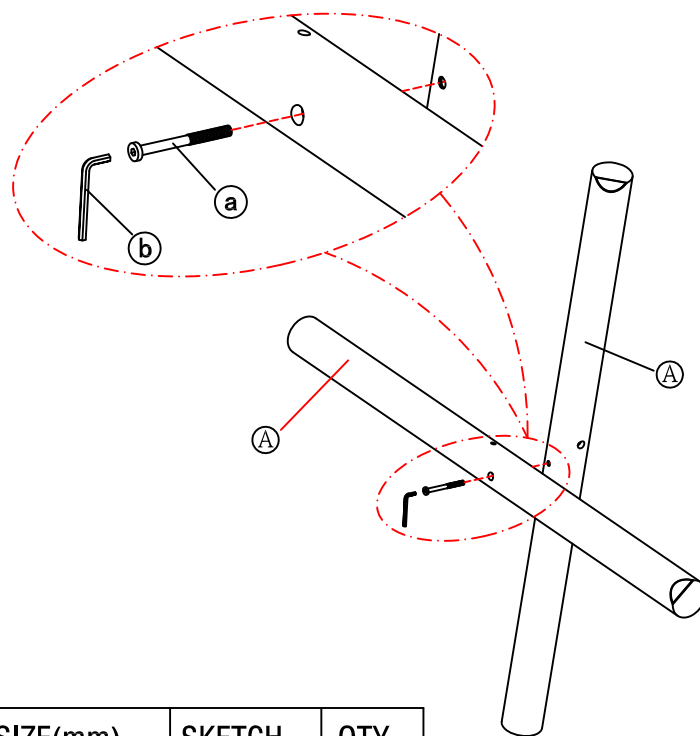


THANK YOU FOR PURCHASING THIS QUALITY PRODUCT.  
BE SURE TO CHECK ALL PACKING MATERIAL CAREFULLY FOR SMALL PARTS THAT MAY HAVE COME  
LOOSE INSIDE THE CARTON DURING TRANSIT.

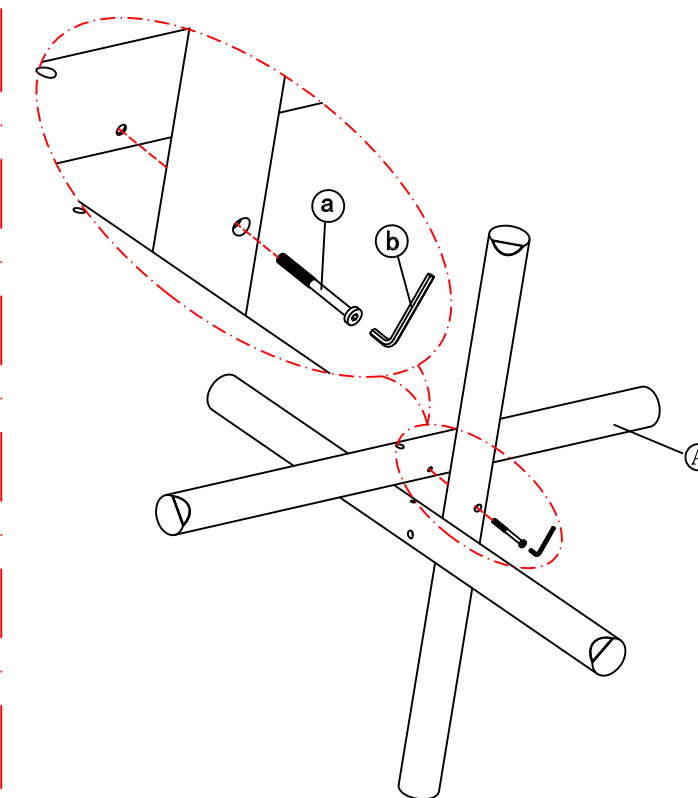
### Step 1



### Step 2



### Step 3



#### HARDWARE LIST:

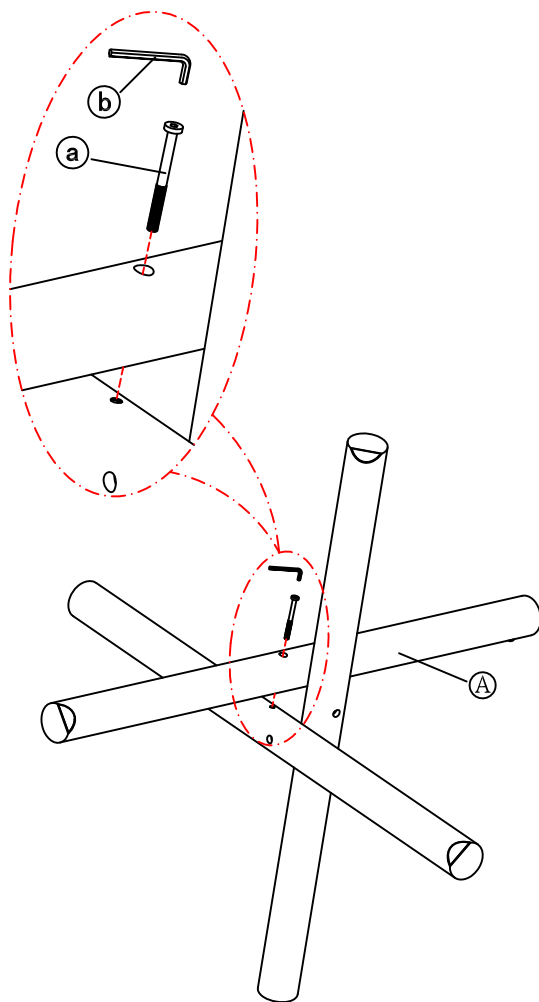
NO	DESCRIPTION	SIZE(mm)	SKETCH	QTY
a	SHORT SCREW	M8*85		3PCS
b	ALLEN KEY	6		1PC
c	PUCK	M6*φ16*15		3PCS
d	SUCKER	φ12*3.0		3PCS

#### PARTS LIST:

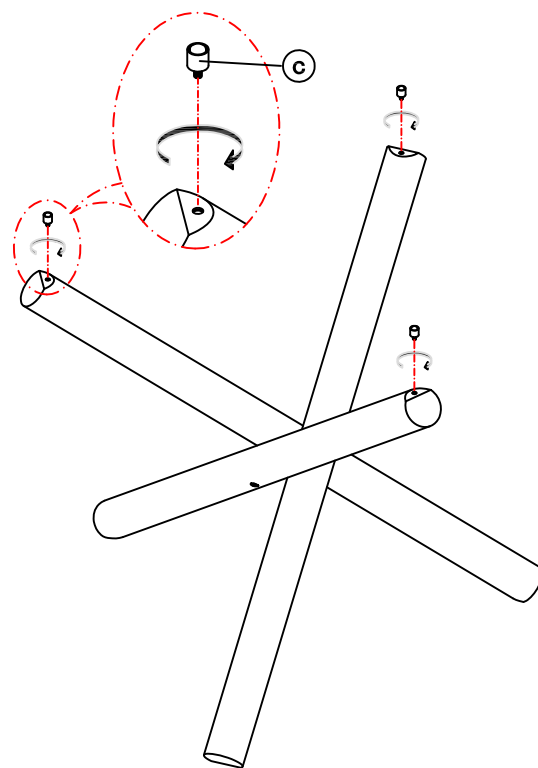
NO	DESCRIPTION	SIZE(mm)	SKETCH	QTY
A	LEG	φ76*1220		3PCS
B	GLASS TOP	1220*1220*T12		1PC



### Step 4



### Step 5



### FINISH

