



Chintaly Imports.

Assembly Instruction

ITEM NO: LABRENDA-DT

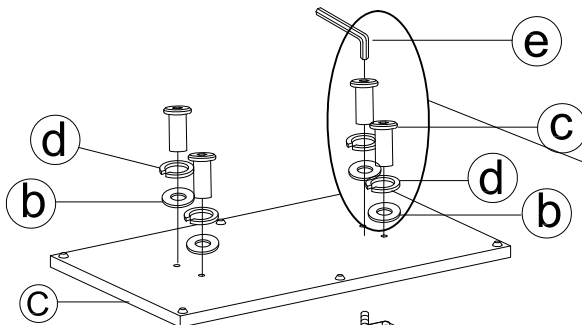
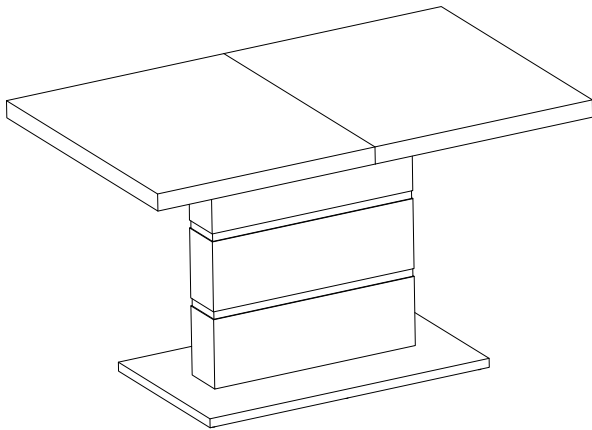
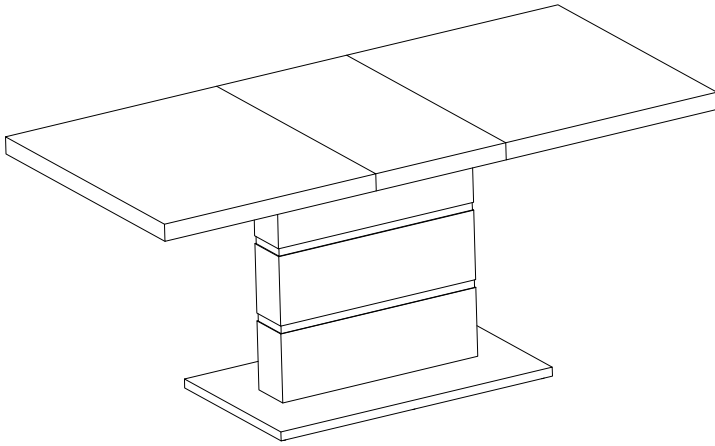
Thank you for purchasing this quality product. Be sure to check all packaging material carefully for small parts that may have come loose inside the carton during shipment.

PARTS LIST:

NO	DESCRIPTION	SKETCH	QTY
A	Table top (1300-1700) × 800 × 50mm		1PCS
B	pedestl 600 × 120 × 625mm		1PCS
C	Base 835 × 485 × 25mm		1PCS

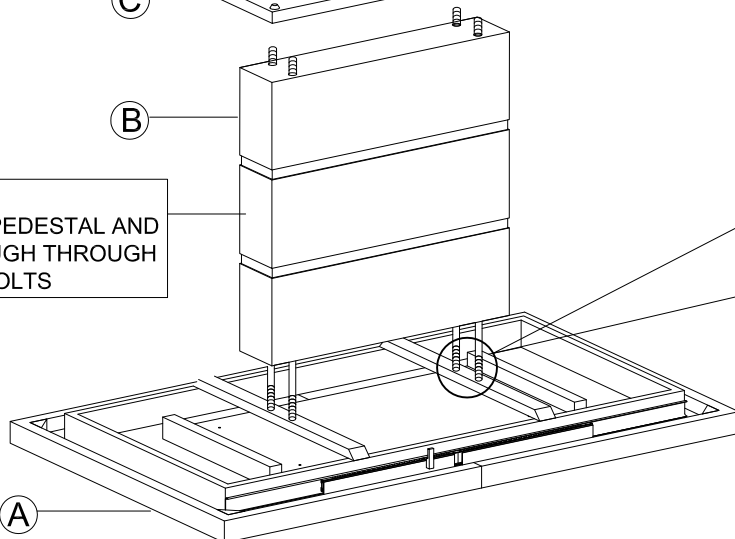
PARTS LIST:

NO	DESCRIPTION	SKETCH	QTY
a	short bolt M10 × 660		4PCS
b	flat washer M12 × φ22		4PCS
c	nut M10 × 25		4PCS
d	SPRING M13 × 18		4PCS
e	Allen key 6#		1PCS



STEP3
USE THE ALLEN KEY TO
FASTEN THE NUTS AND
WASHERS TO THE BOLTS

STEP2
PLACE THE PEDESTAL AND
BASE THROUGH
THE LONG BOLTS



STEP1
FASTEN THE LONG BOLTS

MADE IN CHINA