
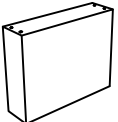






THANK YOU FOR PURCHASING THIS QUALITY PRODUCT.

BE SURE TO CHECK ALL PACKING MATERIAL CAREFULLY FOR SMALL PARTS THAT MAY HAVE COME LOOSE INSIDE THE CARTON DURING TRANSIT.

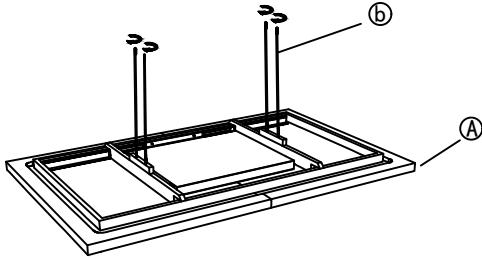
PART LIST

NO	DESC	SIZE (MM)	SKETCH	QTY
A	TOP	2200X100X40		1PC
B	COLUMN	750X200X592		1PCS
C	BASE	1100X550X50		1PC

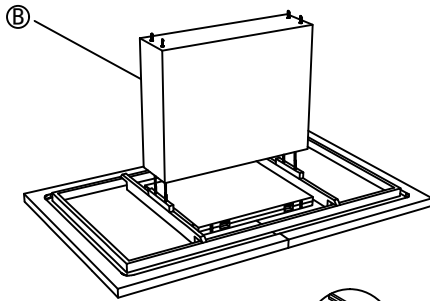
HARDWARE LIST

NO	DESC	SIZE (MM)	SKETCH	QTY
a	SPANNER	5MM		1PC
b	LONG THREAD	M8x625		4PCS
c	NUT	φ22x8		4PCS

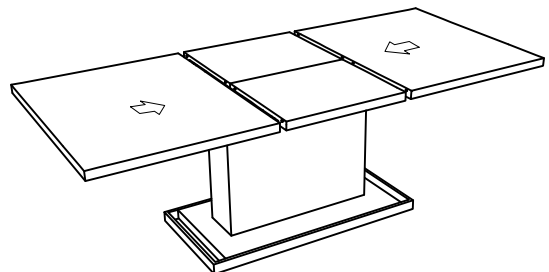
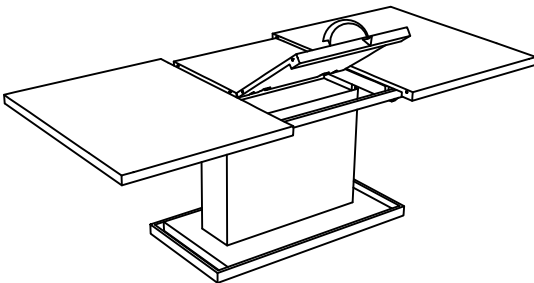
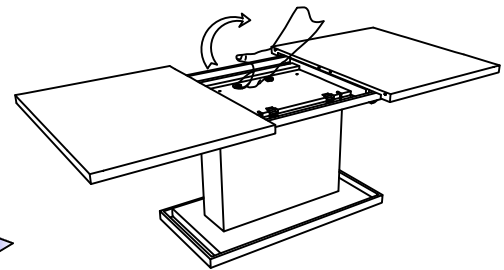
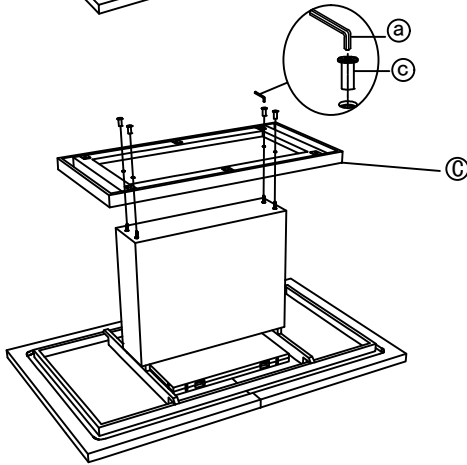
STEP 1



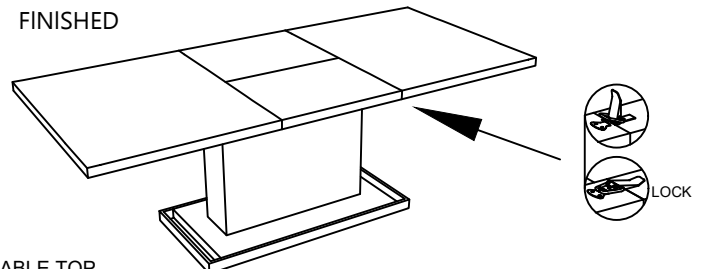
STEP 2



STEP 3



FINISHED



AFTER ASSEMBLED THE BASE TO THE TABLE TOP, MAKE SURE THE LATCHES ARE LOCKED BEFORE TURNING THE TABLE UPSIDE UP.

MADE IN CHINA  
UNLOCK