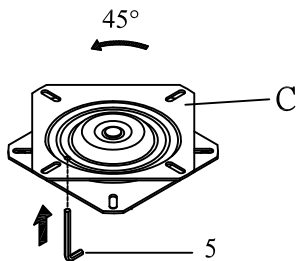




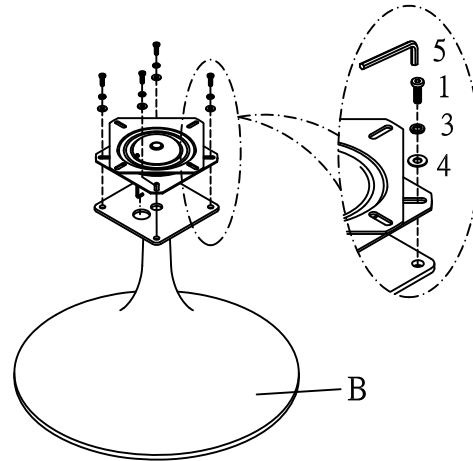
THANK YOU FOR PURCHASING THIS QUALITY PRODUCT.

BE SURE TO CHECK ALL PACKING MATERIAL CAREFULLY FOR SMALL PARTS THAT MAY HAVE COME LOOSE INSIDE THE CARTON DURING TRANSIT.

Step 1



Step 2



PARTS LIST:

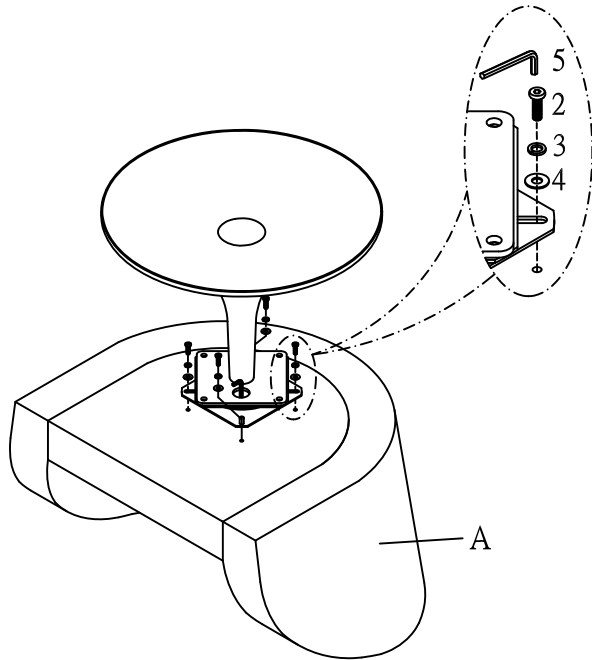
NO	DESCRIPTION	SIZE(mm)	SKETCH	QTY
A	SEAT	545x600x380		1PC
B	BASE	∅520x360		1PC
C	SWIVEL	7" x 7"		1PC

HARDWARE LIST:

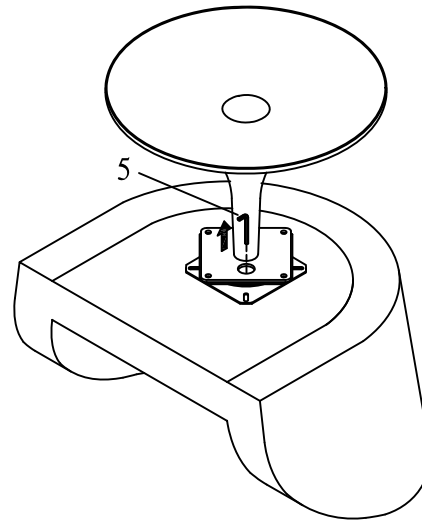
NO	DESCRIPTION	SIZE(mm)	SKETCH	QTY
1	BOLT	1/4"x12		4PCS
2	BOLT	1/4"x30		4PCS
3	SPRING WASHER	1/4"		8PCS
4	WASHER	1/4"		8PCS
5	ALLEN KEY	4		2PCS



Step 3



Step 4



FINISH

