



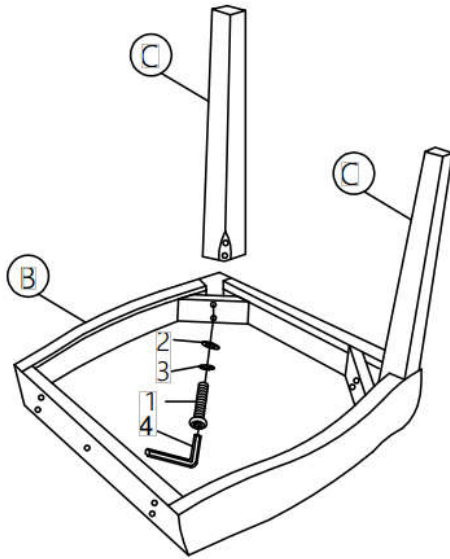
ASSEMBLY INSTRUCTIONS

ITEM NO.: KERRY-SC

THANK YOU FOR PURCHASING THIS QUALITY PRODUCT.

BE SURE TO CHECK ALL PACKING MATERIAL CAREFULLY FOR SMALL PARTS THAT MAY HAVE COME LOOSE INSIDE THE CARTON DURING TRANSIT.

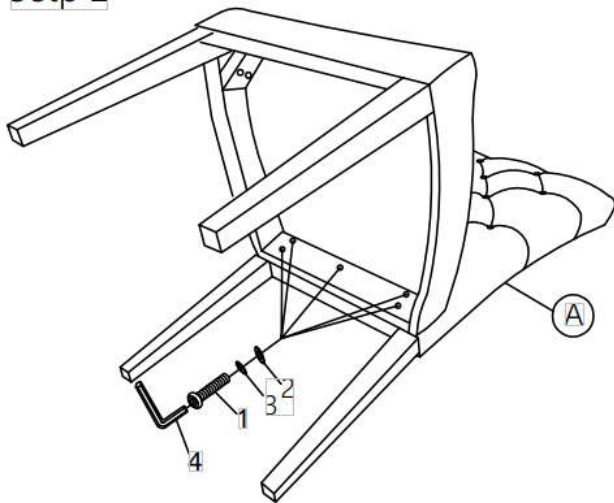
Setp 1



PART LIST

No	DESC.	SIZE(mm)	SKETCH	QTY
A	Back	480X1040 X 90		1pc
B	Seat	460X430X 125		1pc
C	Front Legs	430X40 X40		2pcs

Setp 2



HARDWARE LIST

N O	DESC	SIZE (mm)	SKETCH	QTY
1	BOLT	M5X51		9PCS
2	Flat Washer	M5		9pcs
3	Spring Washer	M5		9pcs
4	Allen Key	5mm		1pc

