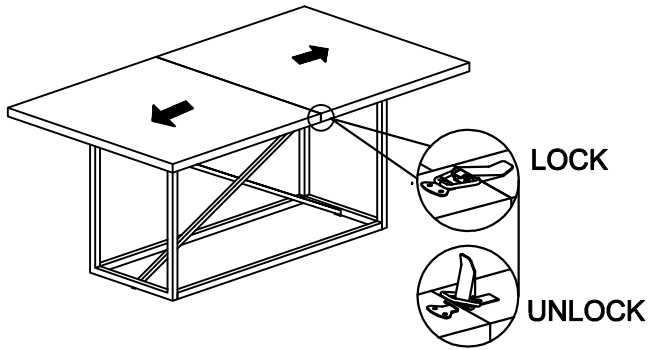
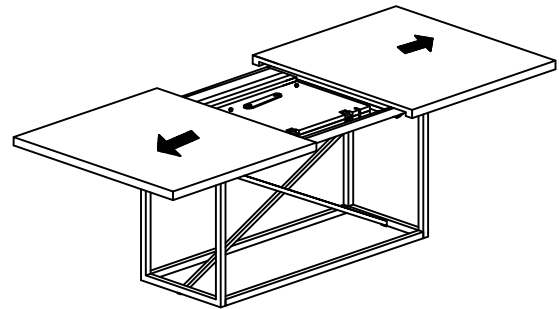




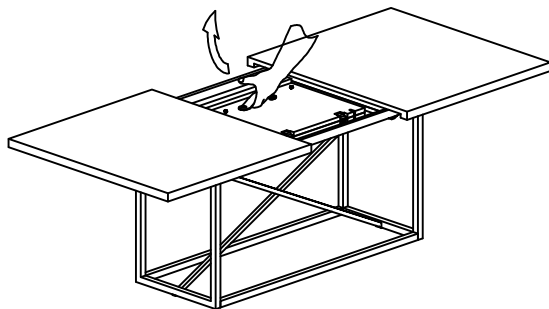
1. OPEN THE LATCHES.



2. OPEN THE TABLE TOPS.

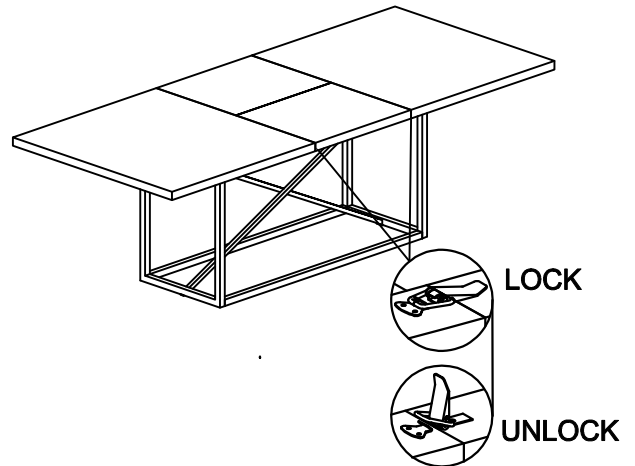


3. OPEN THE LATCHES.

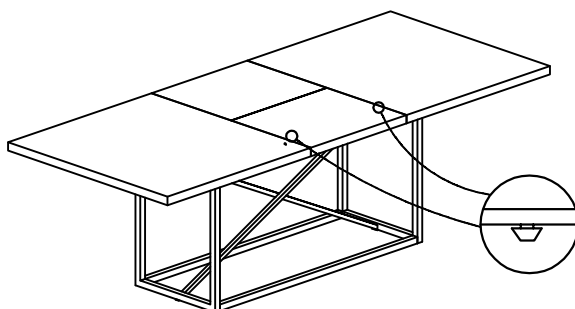


HOLD THE HANDLE
TO RAISE UP EXTENSION TOPS.

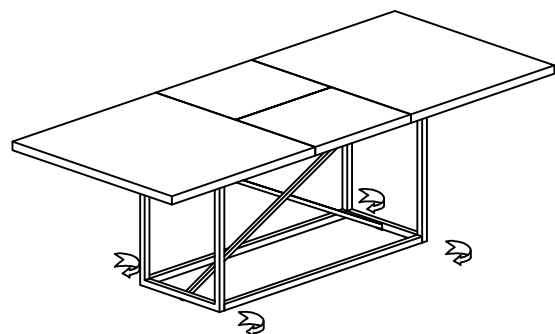
**4. CLOSE THE TOPS AND
LOCK THE LATCHES BEFORE USING.**



**5. PLEASE ADJUST THE GLIDES UNDER THE
EXTENSIONS IF THE EXTENSIONS ARE
NOT LEVEL WELL.**



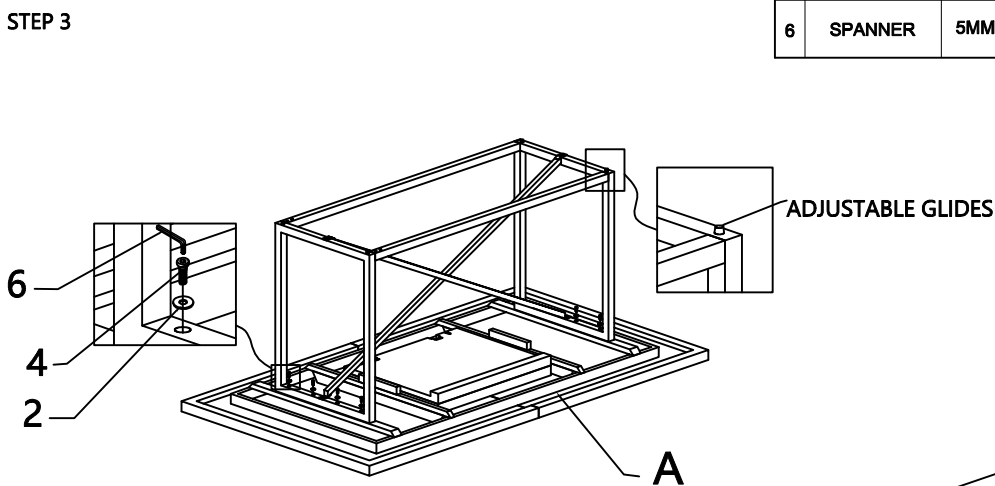
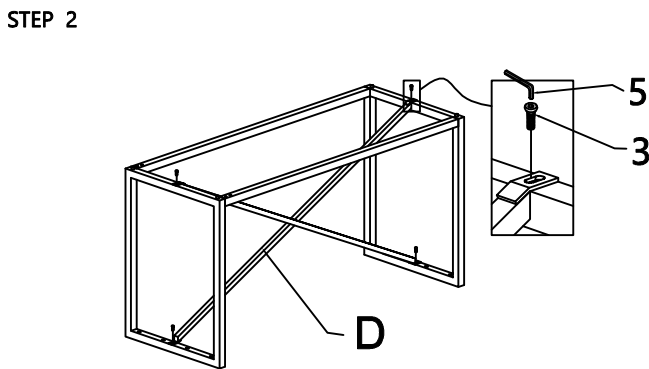
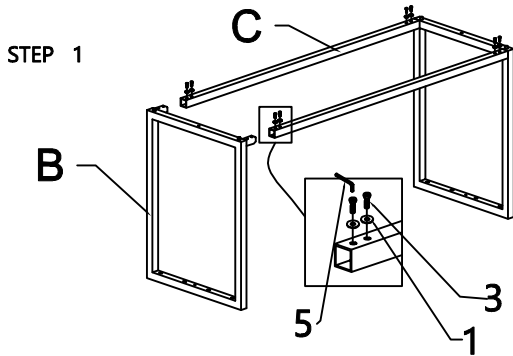
**6. PLEASE ADJUST THE GLIDES UNDER THE
EXTENSIONS IF THE EXTENSIONS ARE
NOT LEVEL WELL.**



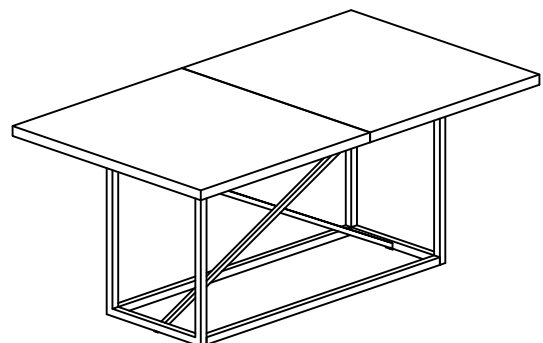


THANK YOU FOR PURCHASING THIS QUALITY PRODUCT.

BE SURE TO CHECK ALL PACKING MATERIAL CAREFULLY FOR SMALL PARTS THAT MAY HAVE COME LOOSE INSIDE THE CARTON DURING TRANSIT.



STEP 4



USE THE ADJUSTABLE GLIDES TO LEVEL THE TABLES

PART LIST

NO	DESC	SIZE (MM)	SKETCH	QTY
A	TOP	1800X1000X120		1PC
B	FRAME	630X80.5X692		2PCS
C	TUBE-A	1450X30X30		2PC
D	TUBE-B	1565X20X20		2PC

HARDWARE LIST

NO	DESC	SIZE(MM)	SKETCH	QTY
1	FLAT WASHER	φ6.3		8 PCS
2	FLAT WASHER	φ8.3		8PCS
3	BOLT-1	M6x20		12PCS
4	BOLT-2	M8x45		8PCS
5	SPANNER	4MM		1PC
6	SPANNER	5MM		1PC