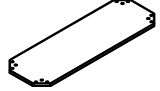
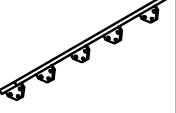

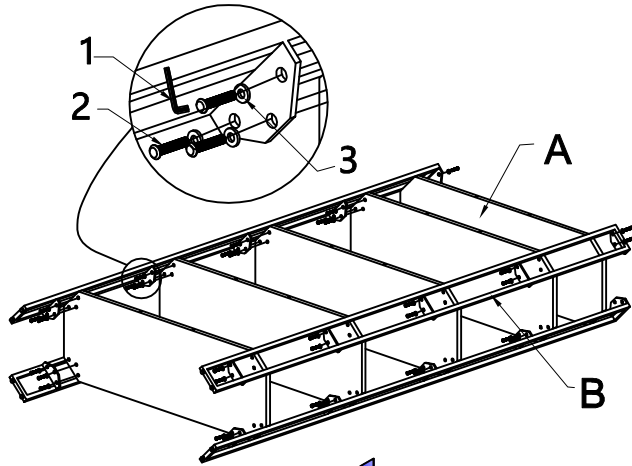


THANK YOU FOR PURCHASING THIS QUALITY PRODUCT.





BE SURE TO CHECK ALL PACKING MATERIAL CAREFULLY FOR SMALL PARTS THAT MAY HAVE COME LOOSE INSIDE THE CARTON DURING TRANSIT.

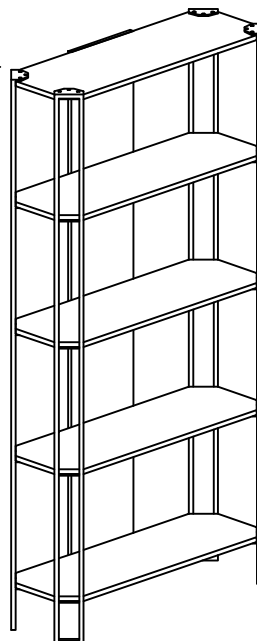
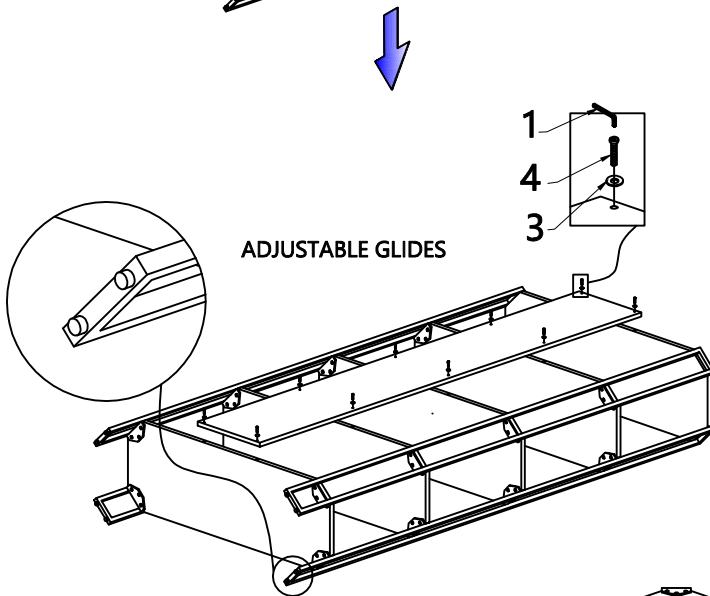
PART LIST

NO	DESC	SIZE (MM)	SKETCH	QTY
A	SHEIF	976.5X326.5X18		5PCS
B	UPRIGHT POST	2000X100X15		4PCS
C	BACK PANEL	1843X300X15		1 PCS



HARDWARE LIST

NO	DESC	SIZE (MM)	SKETCH	QTY
1	SPANNER	4MM		1PC
2	BOLT-1	M6x20		60PCS
3	FLAT WASHER	φ16x6.3		70PCS
4	BOLT-2	M6x30		10PCS



USE THE ADJUSTABLE GLIDES TO LEVEL THE BOOKCASE





MADE IN CHINA

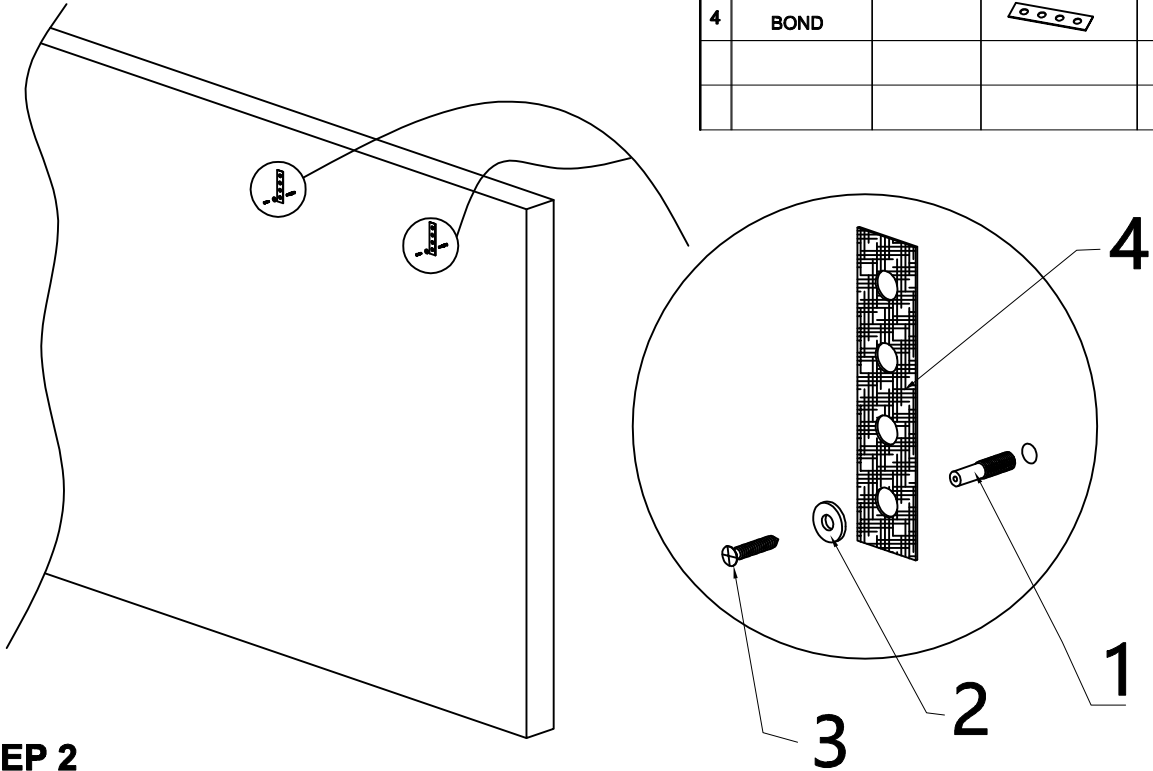
ANTI-TIP STRAP INSTALLATION

STEP 1

Locate and mark wall behind the bookcase. Position 1 on the wall, then drill hole. Put one end of 4 on the wall under 2, and use 3 to attach the bone on the wall.

HARDWARE LIST

NO	DESC	SIZE (MM)	SKETCH	QTY
1	WALL PLUG			2PCS
2	FLAT WASHER			2PCS
3	WALL SCREW			2PCS
4	BOND			2PCS



STEP 2

Slide the bookcase to the position, and loss the screws on the top, put 4 under the washer, retight the screw back into the proper hole on 4.

