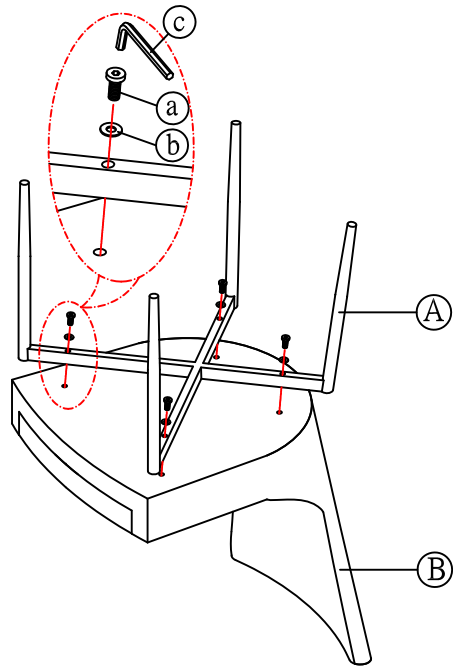
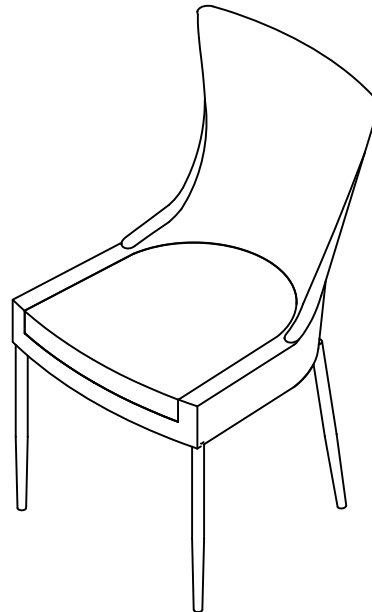




Step 1



FINISH



PARTS LIST:

NO	DESCRIPTION	SKETCH	QTY
A	BASE		1PC
B	SEAT		1PC

HARDWARE LIST:

NO	DESCRIPTION	SKETCH	QTY
a	BOLT		4PCS
b	WASHER		4PCS
c	ALLEN KEY		1PC