








THANK YOU FOR PURCHASING THIS QUALITY PRODUCT.
BE SURE TO CHECK ALL PACKING MATERIAL CAREFULLY FOR SMALL PARTS THAT MAY HAVE COME LOOSE
INSIDE THE CARTON DURING TRANSIT.

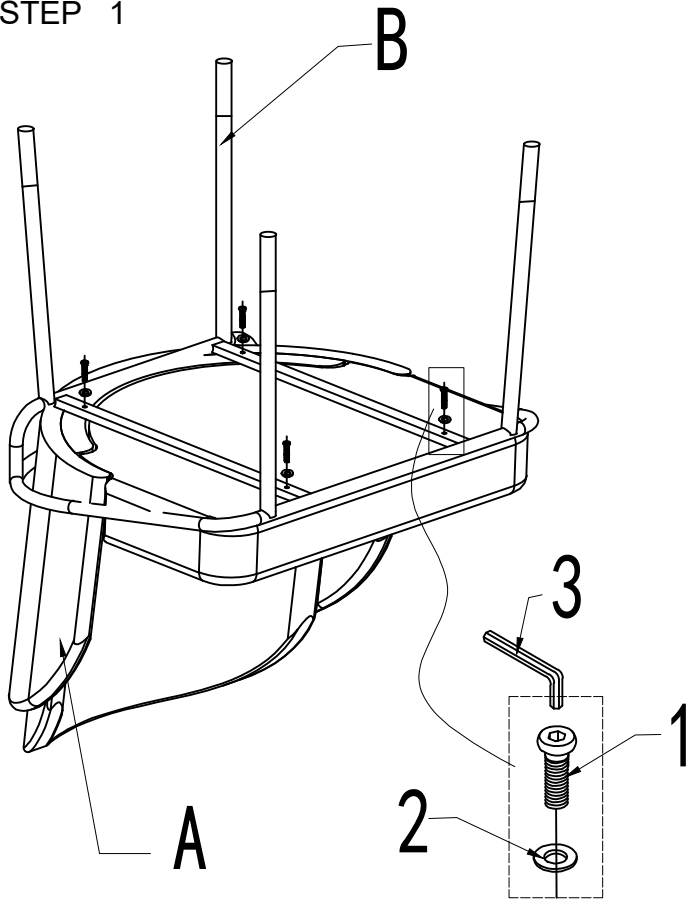
PART LIST

NO	DESC	SIZE (MM)	SKETCH	QTY
A	SEAT	550*520*450		1PCS
B	Base	580*520*430		1PCS

HARDWARE LIST

NO	DESC	SIZE (MM)	SKETCH	QTY
1	BOLT	M6*35		4 PCS
2	WASHER	Ø16*2		4 PCS
3	SPANNER	4#		1PCS

STEP 1



STEP 2

FINISHED

