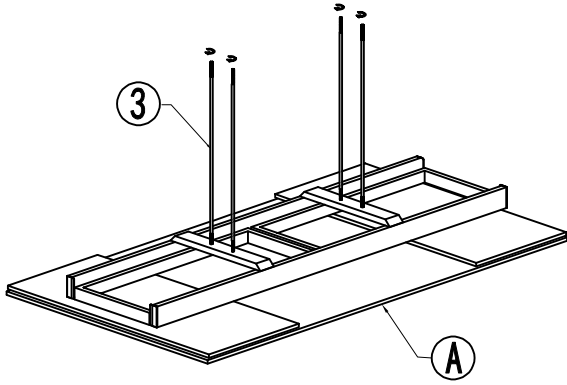




THANK YOU FOR PURCHASING THIS QUALITY PRODUCT
BE SURE TO CHECK ALL PACKING MATERIAL CAREFULLY FOR SMALL PARTS THAT MAY HAVE COME
LOOSE INSIDE THE CARTON DURING TRANSIT.

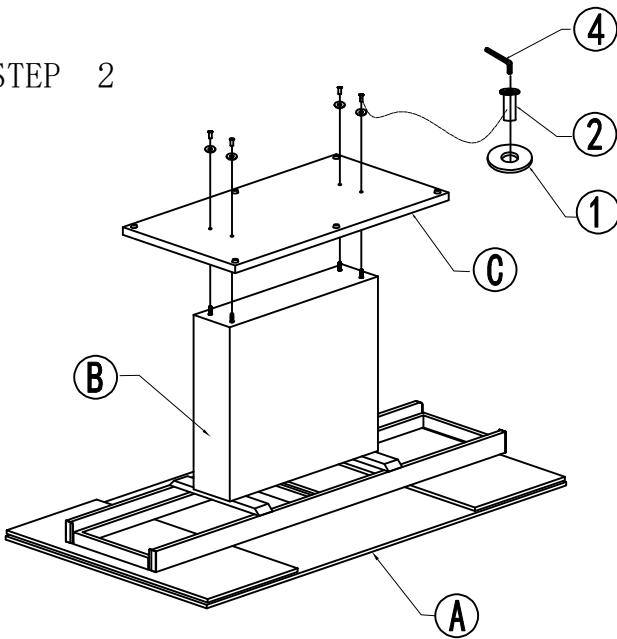
STEP 1



PART LIST

NO	DESC	SIZE (MM)	SKETCH	QTY
A	TOP	1600X895X130		1PC
B	Center Pillar	660X160X604		1PC
C	Chassis	950X485X8		1PC

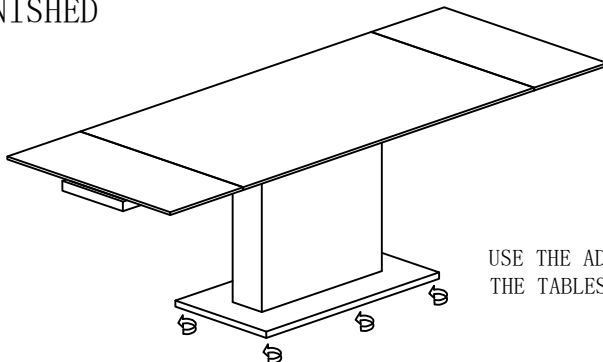
STEP 2



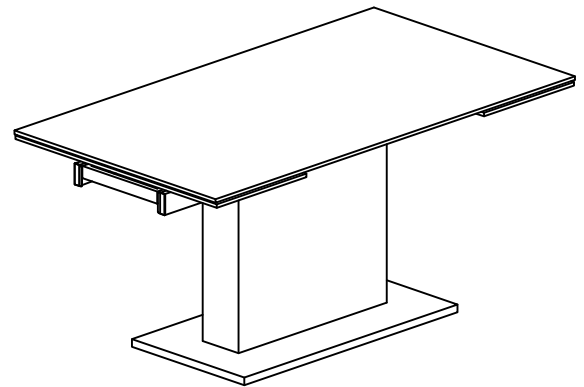
HARDWARE LIST

NO	DESC	SIZE (MM)	SKETCH	QTY
1	FLAT WASHER	Ø8.3		4PCS
2	BOLT	M8		4PCS
3	Screw Rod	M8×620mm		4PCS
4	SPANNER	5MM		1PC

FINISHED



STEP 3



FINISHED

USE THE ADJUSTABLE GLIDES TO LEVEL
THE TABLES