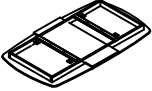


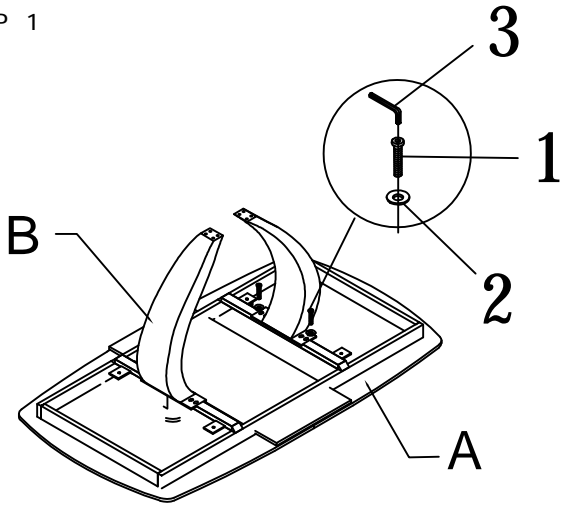






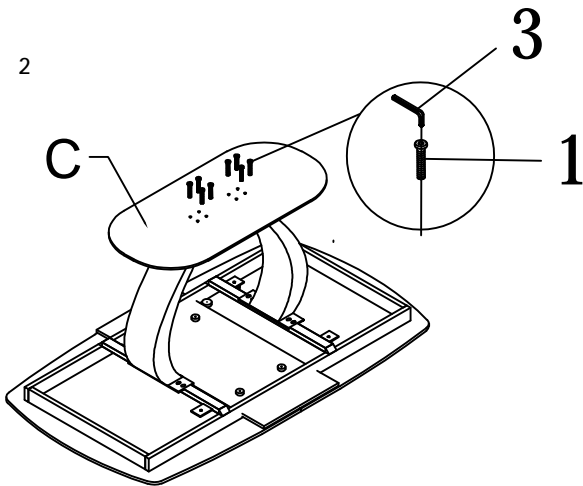
THANK YOU FOR PURCHASING THIS QUALITY PRODUCT.
 BE SURE TO CHECK ALL PACKING MATERIAL CAREFULLY FOR SMALL PARTS THAT MAY HAVE COME LOOSE
 INSIDE THE CARTON DURING TRANSIT.

PART LIST

NO	DESC	SIZE (MM)	SKETCH	QTY
A	Top	1600X895X144		1PCS
B	Center Pillar			2 PCS
C	Base			1 PCS

STEP 1

HARDWARE LIST

NO	DESC	SIZE (MM)	SKETCH	QTY
1	Screw Rod	M8*16		16 PCS
2	Gaskets	Ø20*2		8 PCS
3	SPANNER	5MM		1PCS
4	Spanner	14MM		1PCS

STEP 2

STEP 3
