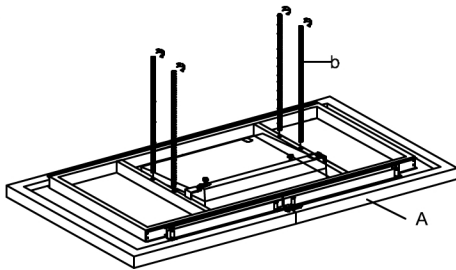




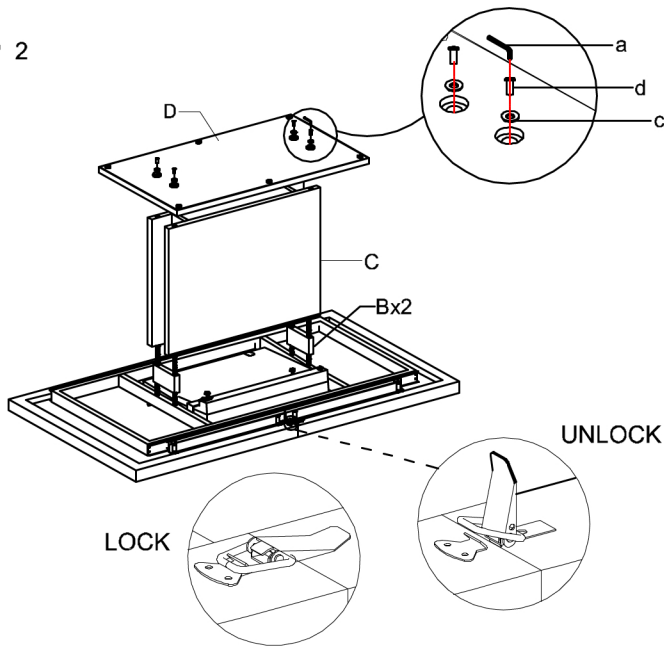
THANK YOU FOR PURCHASING THIS QUALITY PRODUCT.

BE SURE TO CHECK ALL PACKING MATERIAL CAREFULLY FOR SMALL PARTS THAT MAY HAVE COME LOOSE INSIDE THE CARTON DURING TRANSIT.

STEP 1

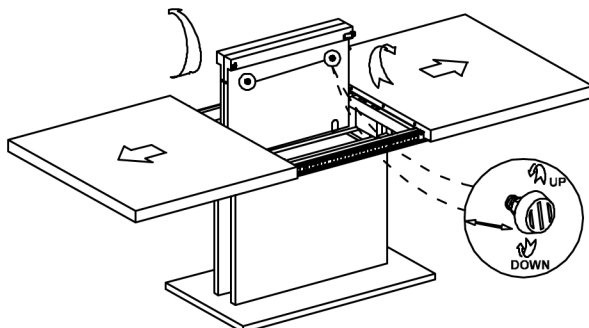


STEP 2



AFTER ASSEMBLED THE BASE TO THE TABLE TOP, MAKE SURE THE LATCHES ARE LOCKED BEFORE TURNING THE TABLE UPSIDE UP.

STEP 3



Please adjust the glides under the extension if the extensions is not leveled well.

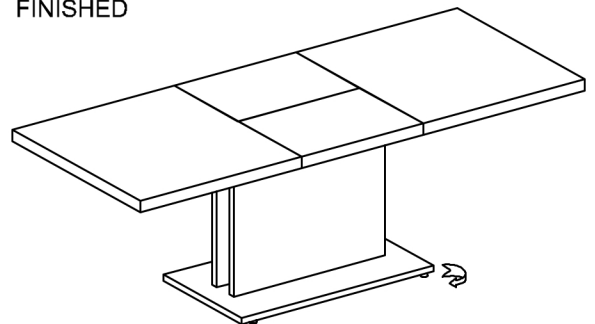
PART LIST

NO	DESC	SIZE (MM)	SKETCH	QTY
A	Top	1600x900x144		1PC
B	Connecting Box	25x148x95		2PC
C	Center Pillar	750x148x555		1PC
D	Base	950x550x32		1PC

HARDWARE LIST

NO	DESC	SIZE (MM)	SKETCH	QTY
a	SPANNER	5MM		1PC
b	SCREW	M8x675		4PCS
c	FLAT	φ20xφ10.5x2.0		4PCS
d	NUT	M8		4PCS

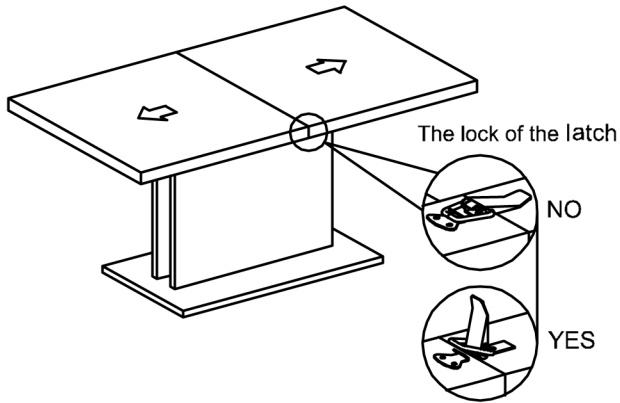
FINISHED



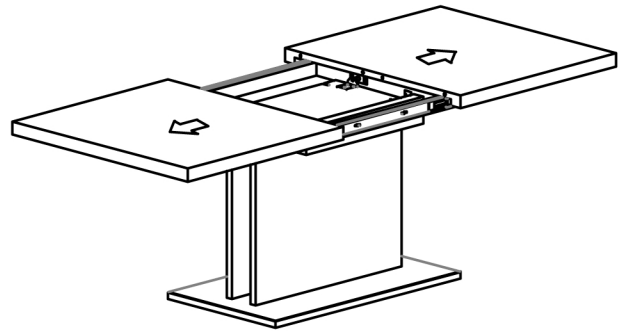
Adjust the glides underneath to balance the table.



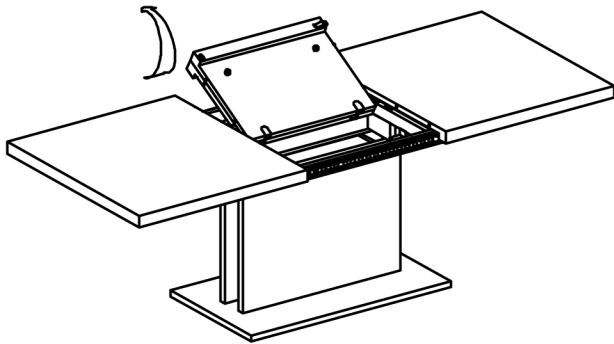
1. Open the lock of the latch before spread the table top both sides



2. Spread the table top

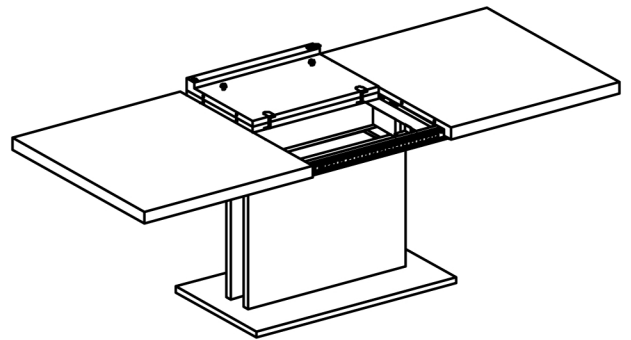


3. Please gently hold the 2 leaves together to turn over

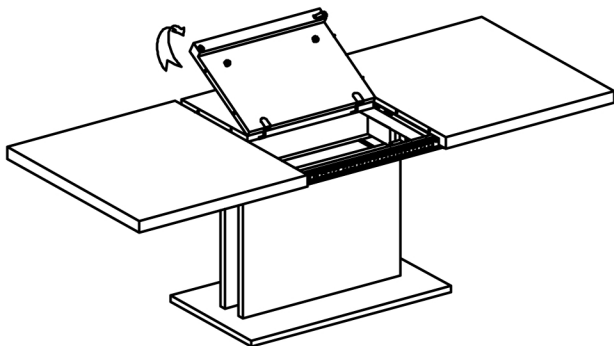


**ATTENTION:**  
Do not attempt to turn  
with a single leaf as this  
will cause damages.

4. Put the two leaves on one side



5. Open one leaf to the other side



6. Lock the latch after closing the table top

