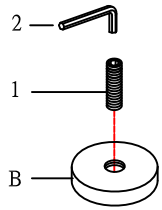


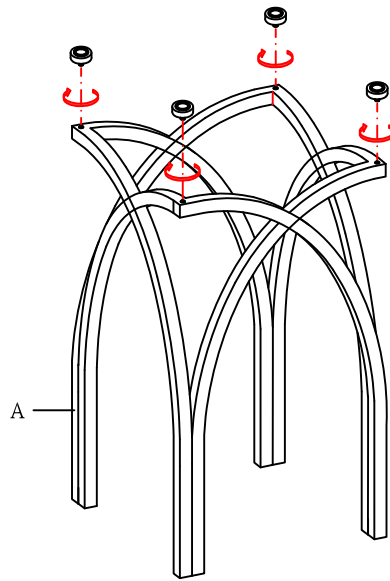


THANK YOU FOR PURCHASING THIS QUALITY PRODUCT.
BE SURE TO CHECK ALL PACKING MATERIAL CAREFULLY FOR SMALL PARTS THAT MAY HAVE COME LOOSE INSIDE THE CARTON DURING TRANSIT.

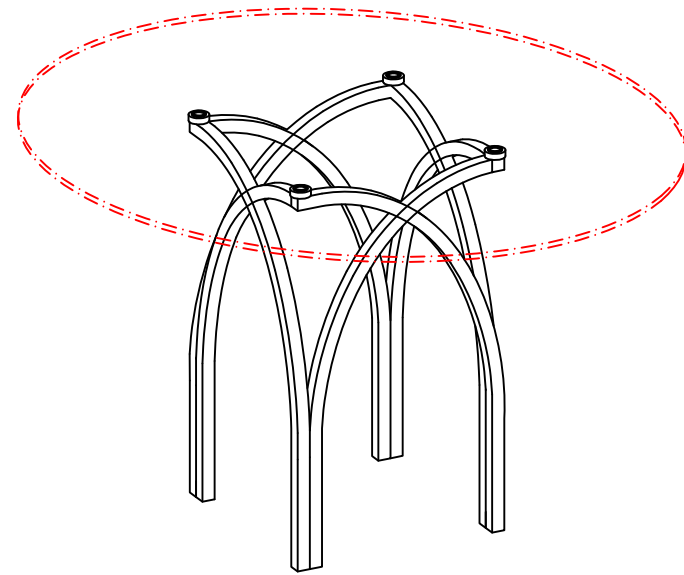
Step 1



Step 2



FINISH



HARDWARE LIST:

NO	DESCRIPTION	SIZE(mm)	SKETCH	QTY
1	SHORT SCREW	M8*20		4PCS
2	ALLEN KEY	4		1PC

PARTS LIST:

NO	DESCRIPTION	SIZE(mm)	SKETCH	QTY
A	BASE	425x425x750		1PC
B	PUCK	∅38*12		4PCS