

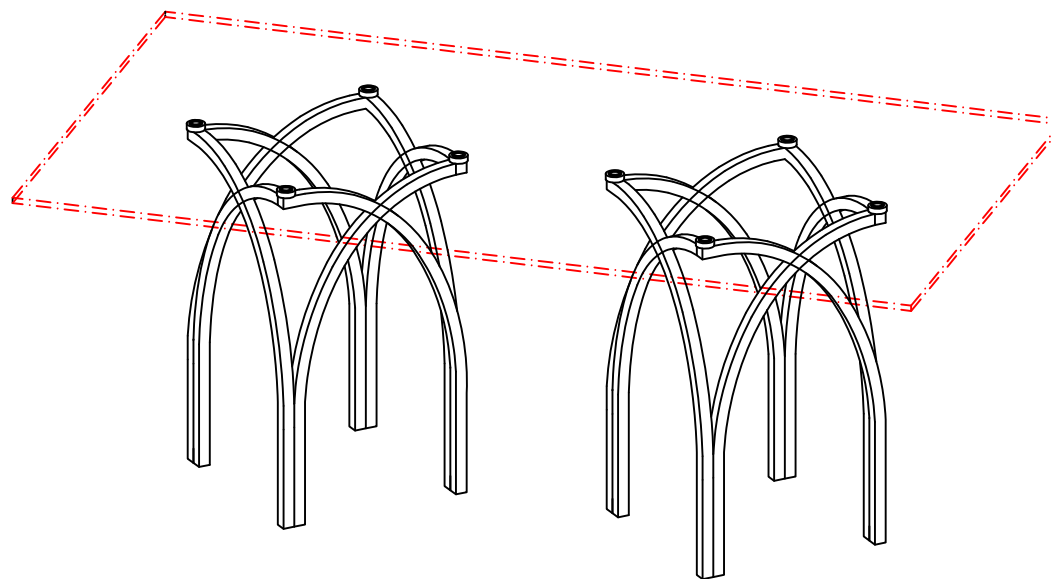
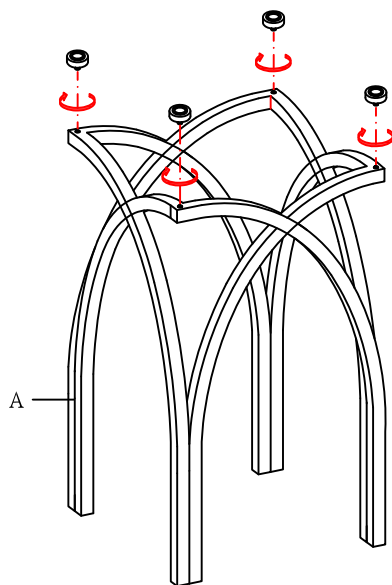
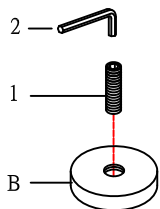


THANK YOU FOR PURCHASING THIS QUALITY PRODUCT.
BE SURE TO CHECK ALL PACKING MATERIAL CAREFULLY FOR SMALL PARTS THAT MAY HAVE COME LOOSE INSIDE THE CARTON DURING TRANSIT.

Step 1

Step 2

FINISH



HARDWARE LIST:

NO	DESCRIPTION	SIZE(mm)	SKETCH	QTY
1	SHORT SCREW	M8*20		8PCS
2	ALLEN KEY	M4		1PC

PARTS LIST:

NO	DESCRIPTION	SIZE(mm)	SKETCH	QTY
A	BASE	425x425x750		2PCS
B	PUCK	φ38*12		8PCS