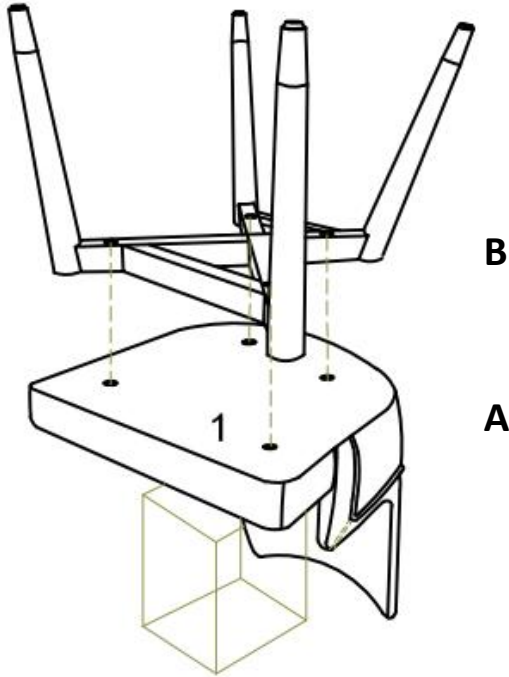




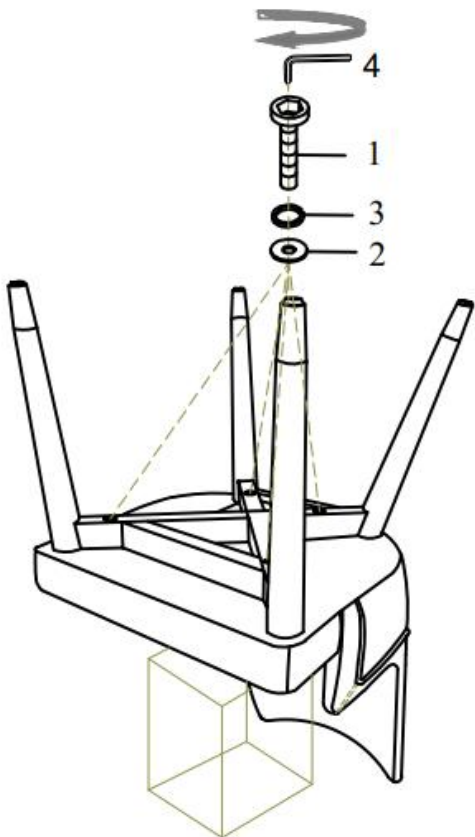
THANK YOU FOR PURCHASING THIS QUALITY PRODUCT.

BE SURE TO CHECK ALL PACKING MATERIAL CAREFULLY FOR SMALL PARTS THAT MAY HAVE COME LOOSE INSIDE THE CARTON DURING TRANSIT.

STEP 1



STEP 2



PART LIST

No	DESC.	SIZE(mm)	SKETCH	QTY
A	Seat	530X650X 530		1pc
B	Leg	490X600X 400		1pc

HARDWARE LIST

N O	DESC	SIZE (mm)	SKETCH	QTY
1	BOLT	M6*55		4PCS
2	Flat Washer	Ø16		4pcs
3	Spring Washer	Ø10		4pcs
4	Allen Key	6mm		1pc

