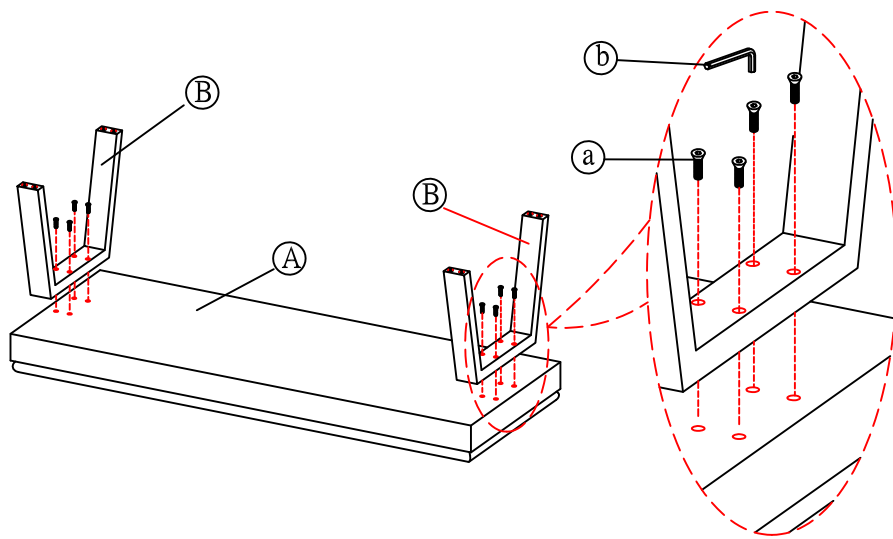




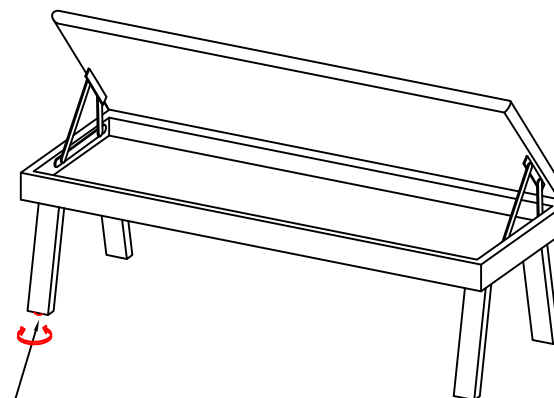
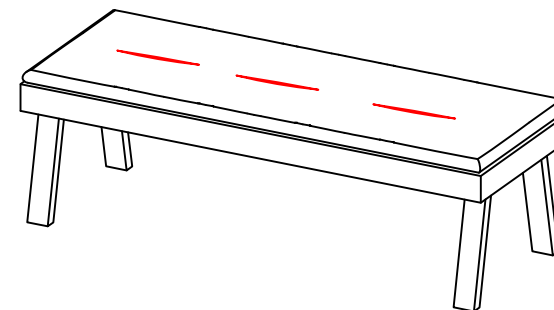
THANK YOU FOR PURCHASING THIS QUALITY PRODUCT.
BE SURE TO CHECK ALL PACKING MATERIAL CAREFULLY FOR SMALL PARTS THAT MAY HAVE COME LOOSE INSIDE THE CARTON DURING TRANSIT.

****NOTICE:**
HARDWARE AND METAL LEGS ARE INSIDE
THE STORAGE BOX OF THE SEAT

Step 1



FINISH



ADJUST THE GLIDES IF NEEDED

PARTS LIST:

NO	DESCRIPTION	SIZE(mm)	SKETCH	QTY
A	SEAT CUSHION	11420*450*150		1PC
B	LEG	435*330*60		2PCS

HARDWARE LIST:

NO	DESCRIPTION	SIZE(mm)	SKETCH	QTY
a	BOLT	M8x60		8PCS
b	ALLEN KEY	5		1PC