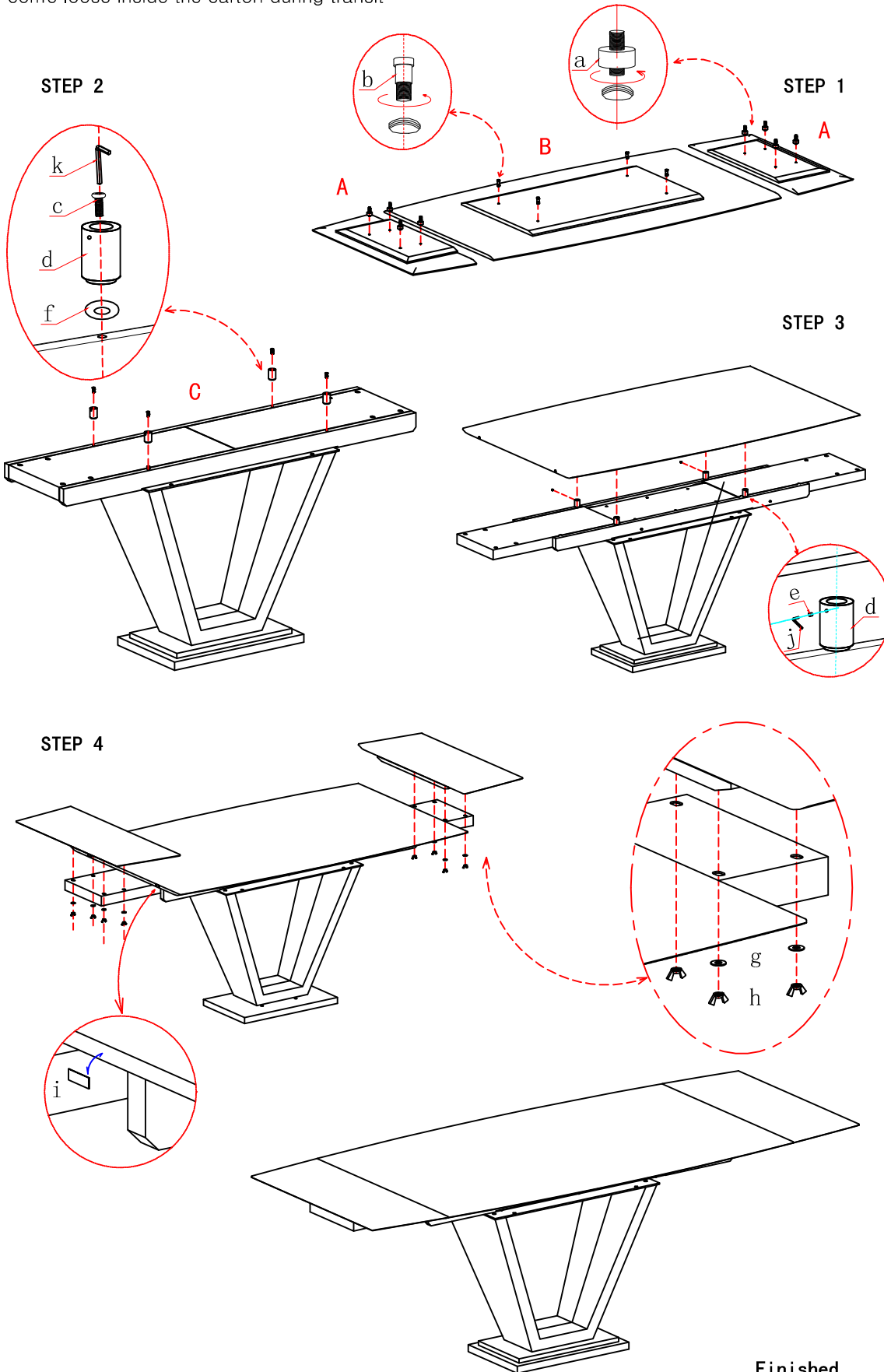





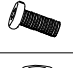
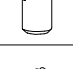
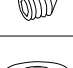


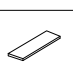
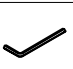




Thank you for purchasing this quality product. Be sure to check all packing material carefully for small parts that may have come loose inside the carton during transit


PART LIST

NO	DESC	SIZE (MM)	SKETCH	QTY
A	EXTENSION TOP	300X897 X18		2pcs
B	TOP	950X1600 X18		1pcs
C	BASE	1400X415 X690		1pcs

HARDWARE LIST

NO	DESC	SIZE (MM)	SKETCH	QTY
a	BOLT	φ25X45		8pcs
b	PIN	φ13X32		4pcs
c	SCREW	M6X15		4pcs
d	COLUMN	φ25X36		4pcs
e	FASTEN BOLT	M5X8		4pcs
f	PLASTIC WASHER	φ19Xφ7 X1.0		4pcs
g	FLAT WASHER	φ19Xφ9 X1.6		8pcs
h	NUT	M8		8pcs
i	PLASTIC SPACER	40X10 X1.6		4pcs
j	WRENCH	M2.5		1pcs
k	WRENCH	M4		1pcs

MADE IN CHINA