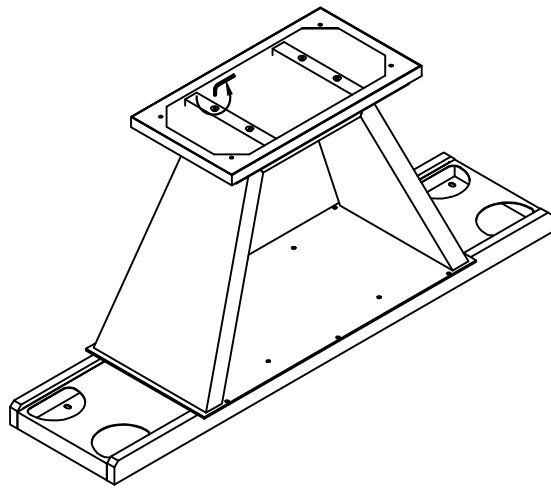
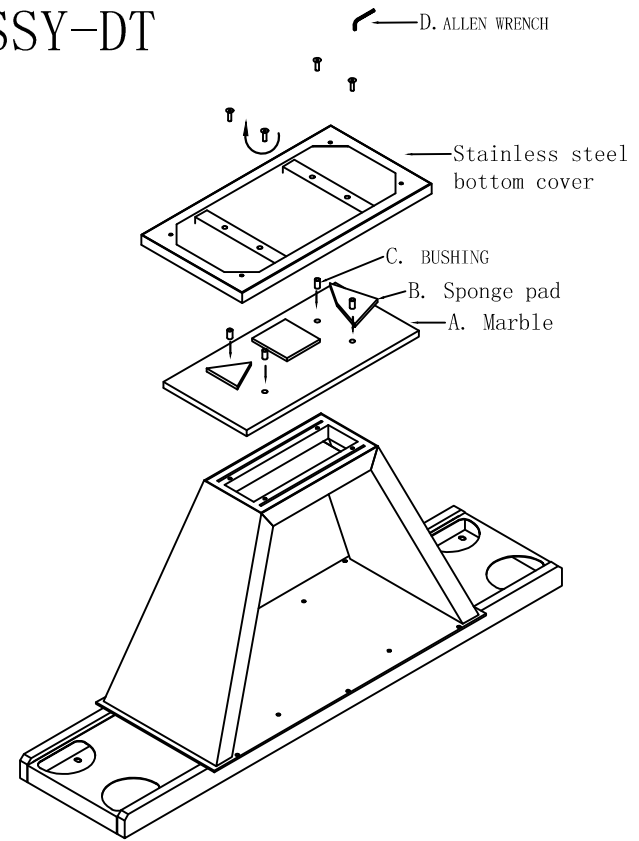


INSTRUCTION TO CHANGE MARBLE BASE OF JESSY-DT



1. Put the base upside down on a soft platform, stored the extension
2. Unfasten the bolts by Allen wrench, take off the steel base, stainless steel cover and marble base in order.



3. put the replaced marble onto the V base, put the bushing into the hole of of the marble. And place the sponge pad in the center of the marble.
4. Place the stainless steel cover and steel base on ,fasten the screws by allen wrench. Replacement finished.

NO.	A	B	C	D
TYPE				
QTY	1pcs	3pc	4pc	1pc