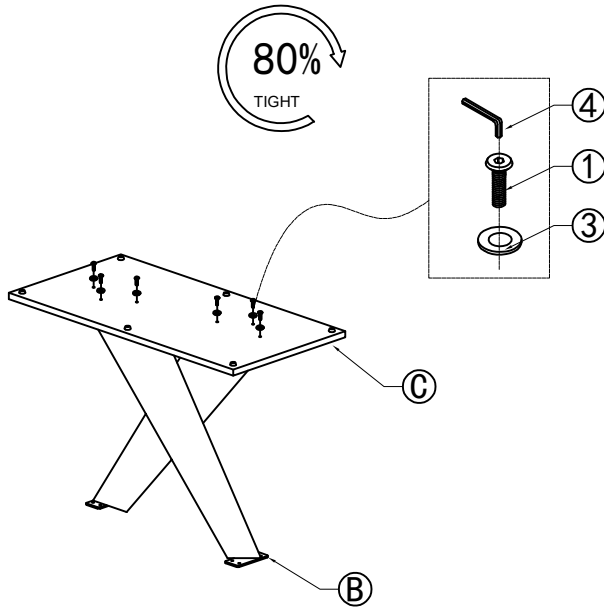


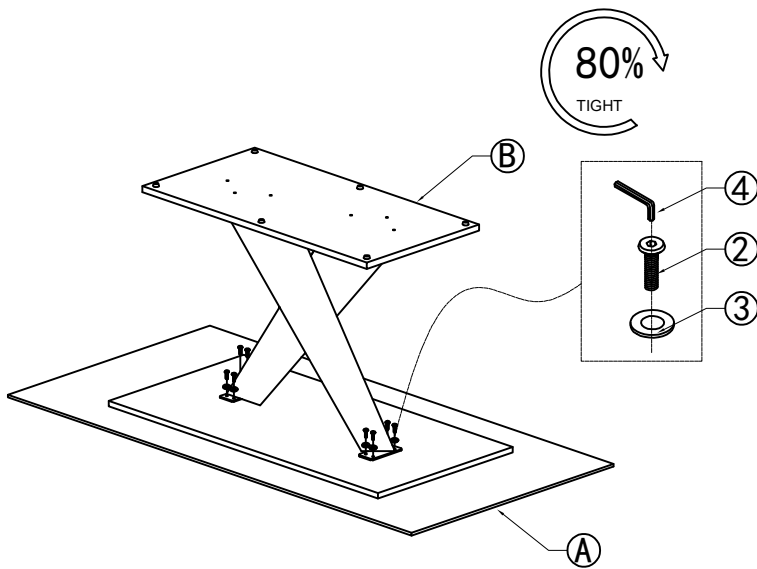


THANK YOU FOR PURCHASING THIS QUALITY PRODUCT.  
BE SURE TO CHECK ALL PACKING MATERIAL CAREFULLY FOR SMALL PARTS THAT MAY HAVE COME  
LOOSE INSIDE THE CARTON DURING TRANSIT.

### STEP 1

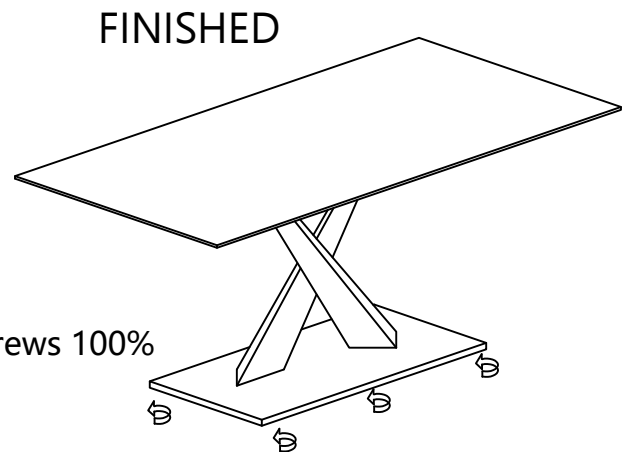


### STEP 2



### STEP 3

Make sure the screws 80% tighten,  
and after attached all screws, tighten all screws 100%



ADJUST THE GLIDES IF NEEDED

#### PART LIST

NO	DESC	SIZE (MM)	SKETCH	QTY
A	TOP	1200*640*30		1PCS
B	CENTER PILLAR	556*150*75		2PCS
C	CHASSIS	600*350*22		1PCS

#### HARDWARE LIST

NO	DESC	SIZE(MM)	SKETCH	QTY
1	BOLT	M8*40		6PCS
2	BOLT	M8*20		8PCS
3	FLAT WASHER	Ø8.3		14PCS
4	SPANNER	5MM		1PCS