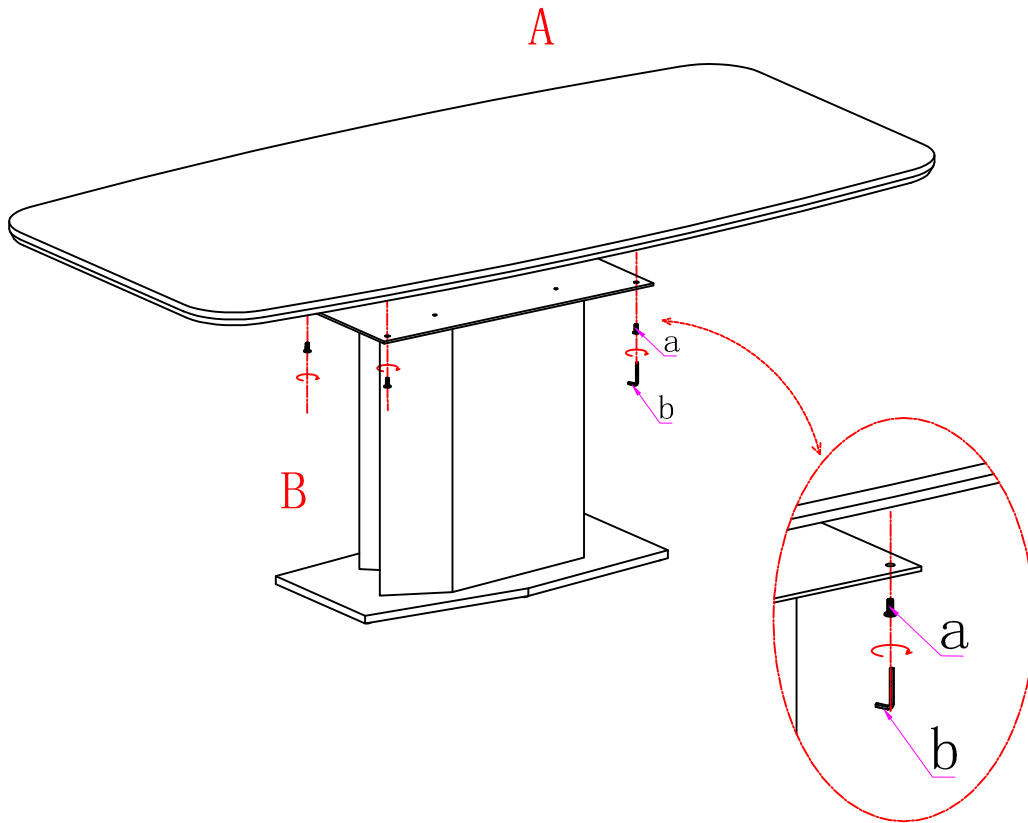




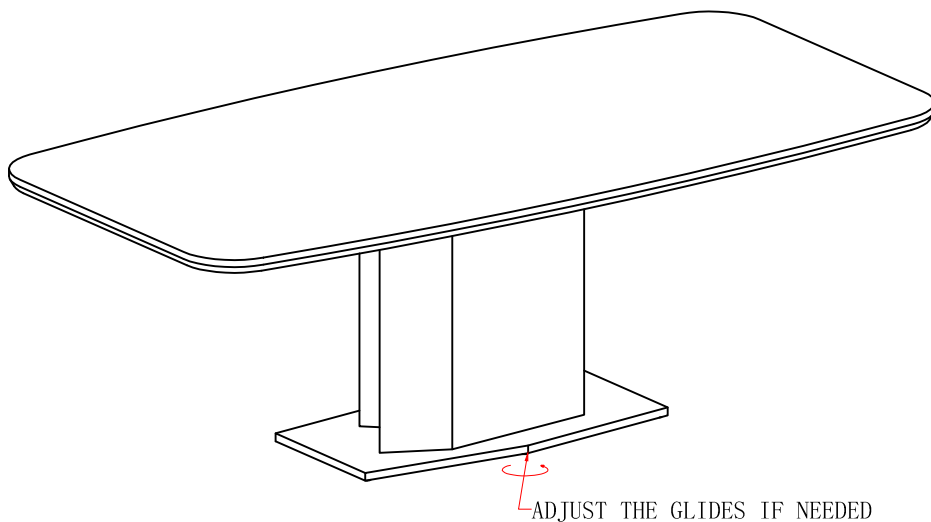
Thank you for purchasing this quality product. Be sure to check all packing material carefully for small parts that may have come loose inside the carton during transit

STEP 1



PART LIST

NO	DESC	SIZE (MM)	SKETCH	QTY
A	TOP	2200X1100 X18		1pcs
B	BASE	950X480 X720		1pcs



HARDWARE LIST

NO	DESC	SIZE (MM)	SKETCH	QTY
a	SCREW	M8X15		4pcs
b	SPANNER	M6		1pcs

Finished

MADE IN CHINA