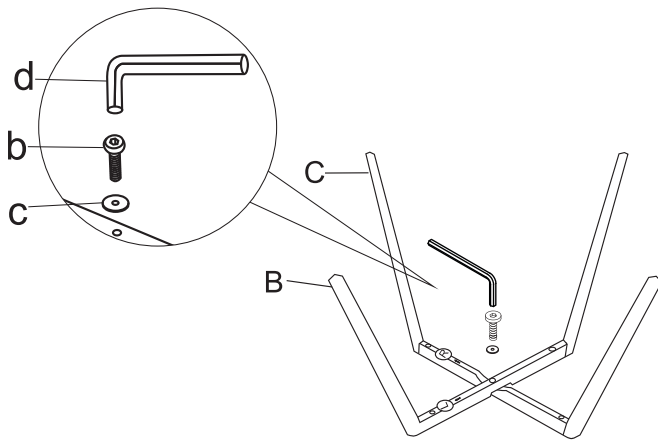




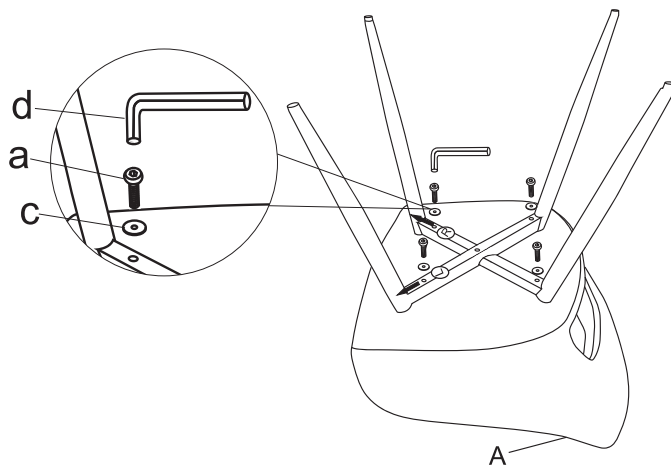
THANK YOU FOR PURCHASING THIS QUALITY PRODUCT.

BE SURE TO CHECK ALL PACKING MATERIAL CAREFULLY FOR SMALL PARTS THAT MAY HAVE COME LOOSE INSIDE THE CARTON DURING TRANSIT.

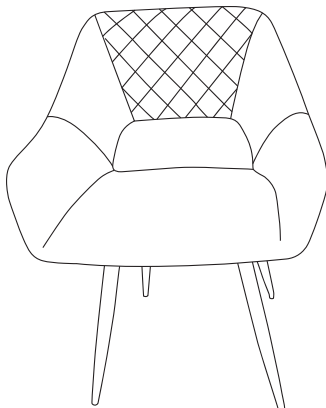
STEP 1



STEP 2



FINISHED



PART LIST

NO	DESC	SIZE (MM)	SKETCH	QTY
A	SEAT AND BACKREST	590X590X400		1PC
B	FRAME	405X690X465		1PC
C	FRAME	405X690X465		1PC

HARDWARE LIST

NO	DESC	SIZE (MM)	SKETCH	QTY
a	SCREW	M6X45		4PCS
b	SCREW	M6X25		1PC
C	PLATE WASHER	Ø18X Ø6X1.5		5PCS
d	SPANNER	M5		1PC