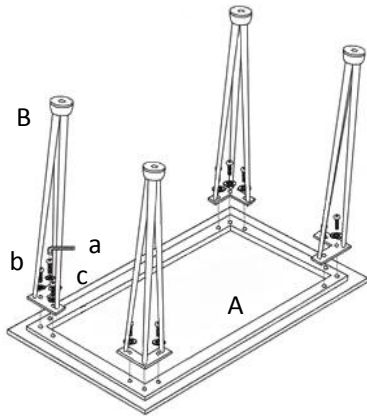
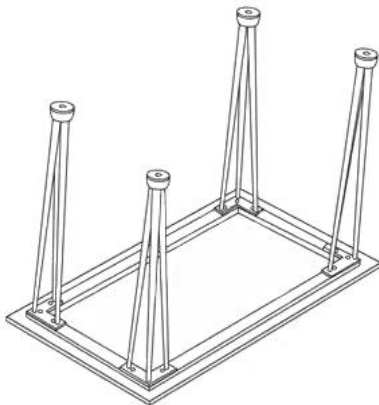





THANK YOU FOR PURCHASING THIS QUALITY PRODUCT.

BE SURE TO CHECK ALL PACKING MATERIAL CAREFULLY FOR SMALL PARTS THAT MAY HAVE COME LOOSE INSIDE THE CARTON DURING TRANSIT.

STEP 1

FINISHED

PART LIST

NO	DESC	SIZE (MM)	SKETCH	QTY
A	MDF TOP	1600*900		1 PC
B	LEG OF A TABLE			4PCS

HARDWARE LIST

NO	DESC	SIZE (MM)	SKETCH	QTY
a	WRENCH			1PC
b	SCREW			12PCS
c	PLAT WASHER			12PCS