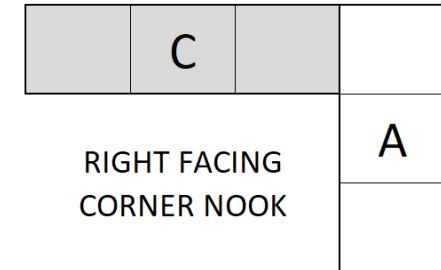
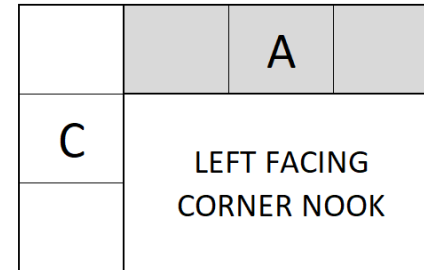
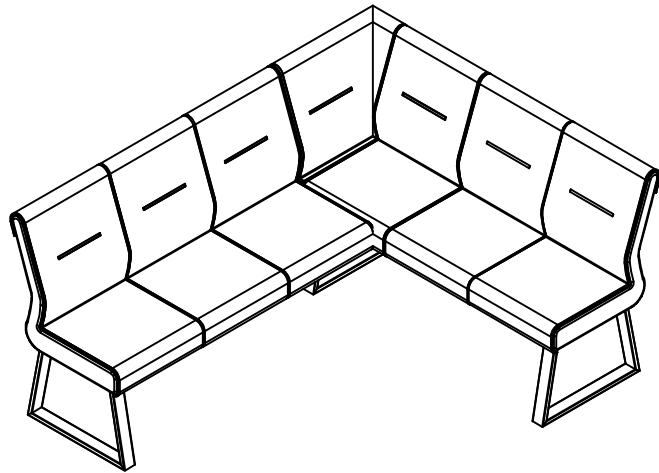




THANK YOU FOR PURCHASING THIS QUALITY PRODUCT.
BE SURE TO CHECK ALL PACKING MATERIAL CAREFULLY FOR SMALL PARTS THAT MAY HAVE COME LOOSE INSIDE THE CARTON DURING TRANSIT.



THIS PRODUCT IS A REVERSIBLE NOOK. THERE ARE RIGHT FACING CORNER NOOK AND LEFT FACING CORNER NOOK OPTIONS FOR YOUR DEMAND. YOU CAN FOLLOW THE ASSEMBLY STEPS TO FINISH THE RIGHT FACING CORNER NOOK OR LEFT FACING CORNER NOOK.

PARTS LIST:

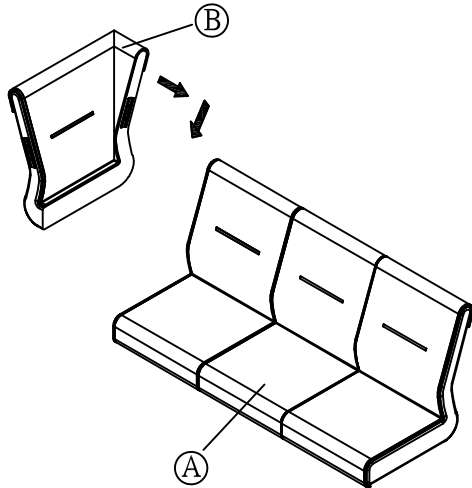
NO	DESCRIPTION	SKETCH	QTY
A	RIGHT SEATER (LENGTH 148CM)		1PC
B	CORNER BACK OPTIONALS (RIGHT & LEFT)		1PC OF EACH
C	LEFT SEATER (LENGTH 145CM)		1PC
D	LEG		3PCS

HARDWARE LIST:

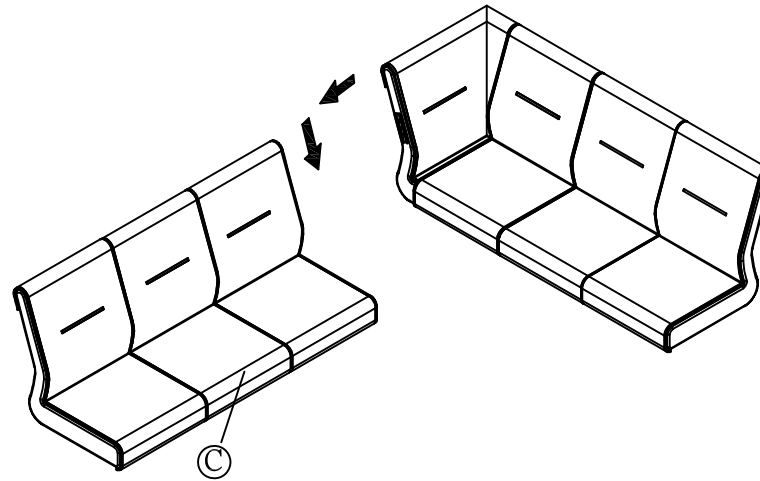
NO	DESCRIPTION	SKETCH	QTY
a	METAL CONNECTOR		2PCS
b	WASHER		20PCS
c	BOLT		20PCS
d	ALLEN KEY		1PC



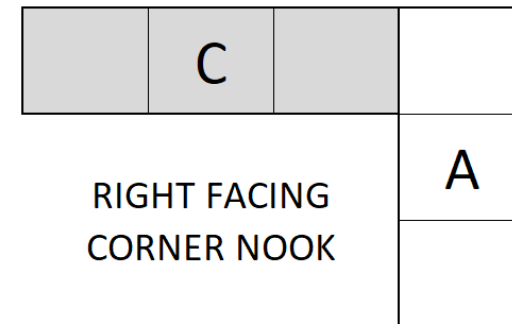
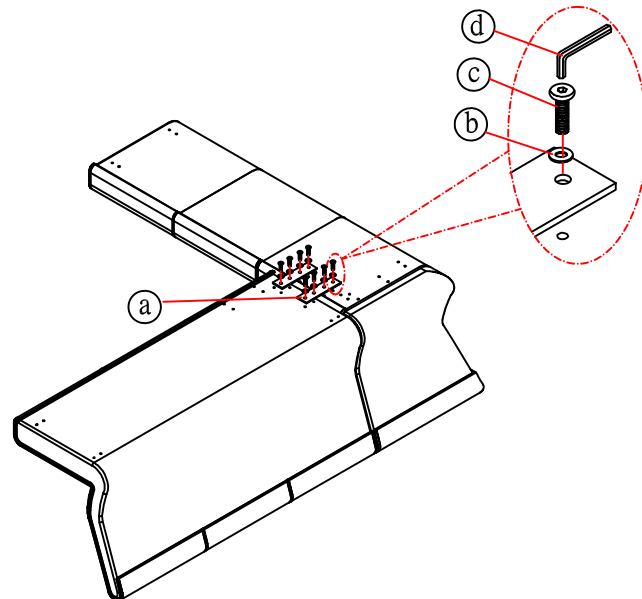
Step 1



Step 2

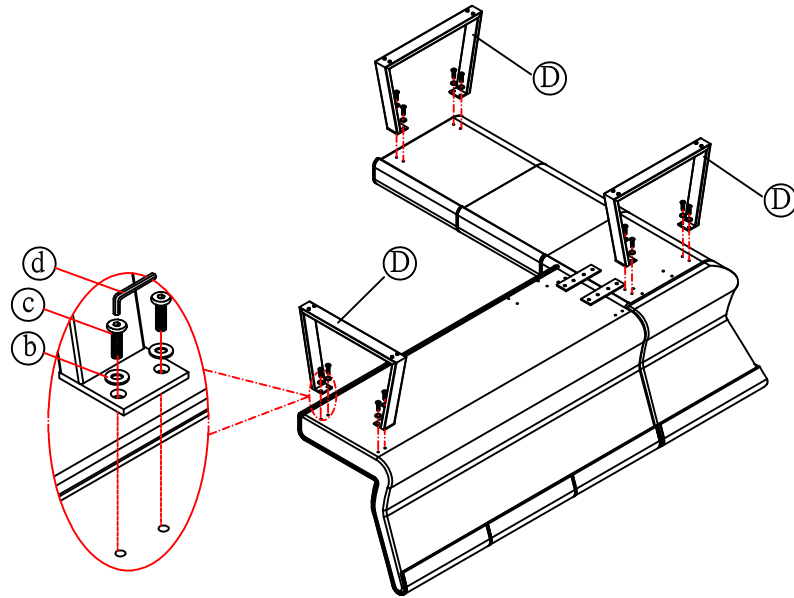


Step 3

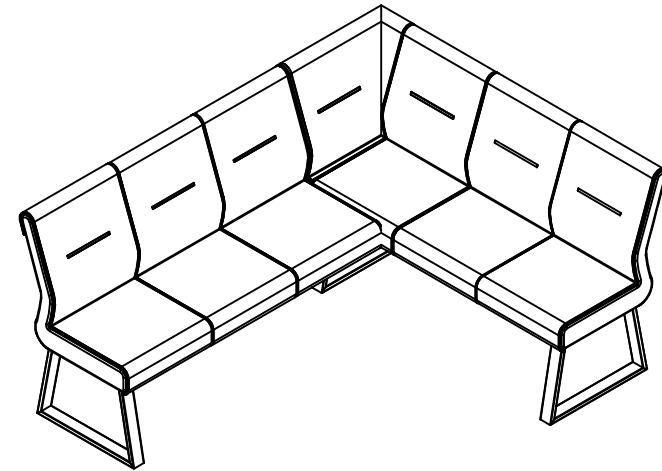




Step 4



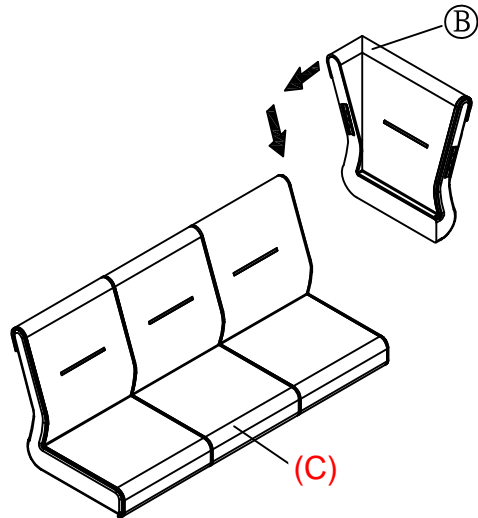
FINISH



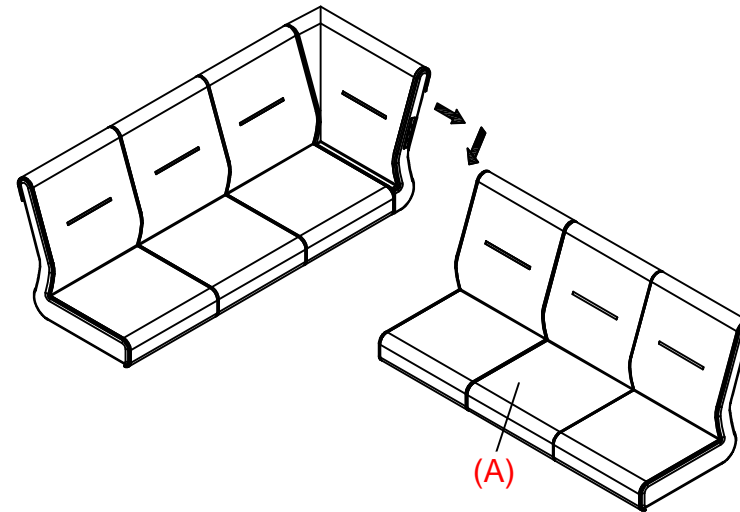
RIGHT FACING
CORNER NOOK



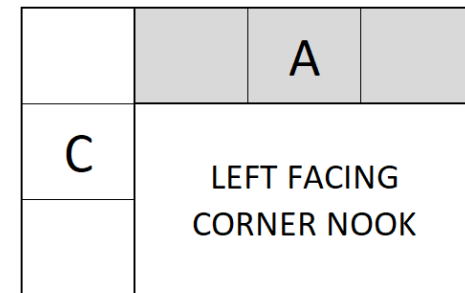
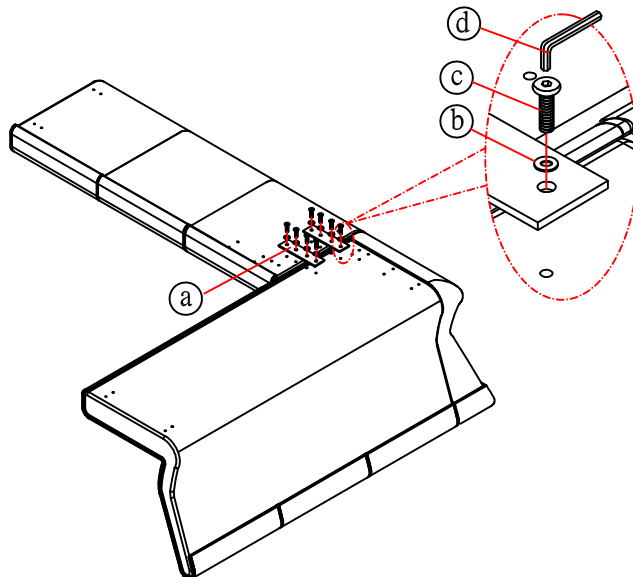
Step 1



Step 2

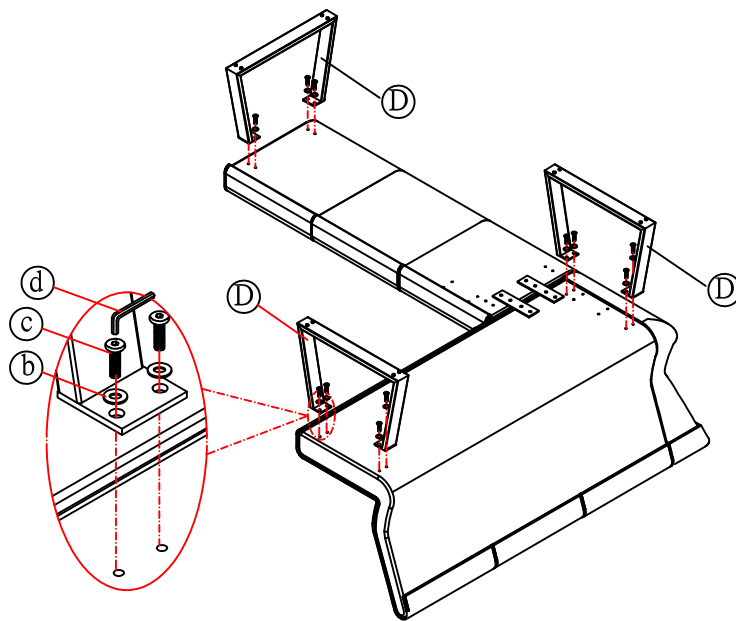


Step 3

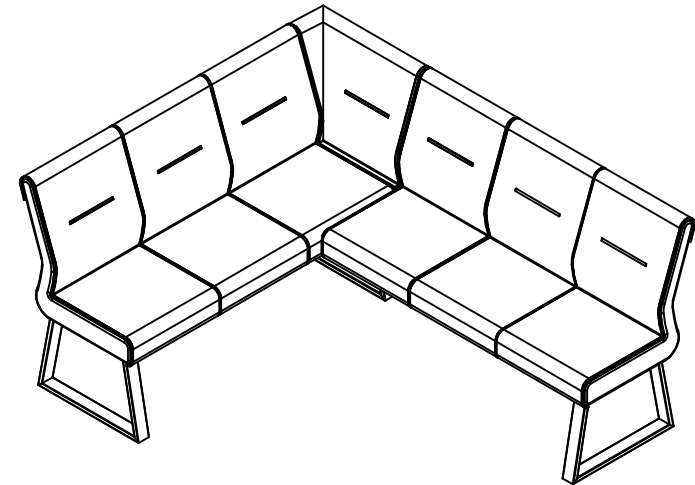




Step 4



FINISH



LEFT FACING
CORNER NOOK