

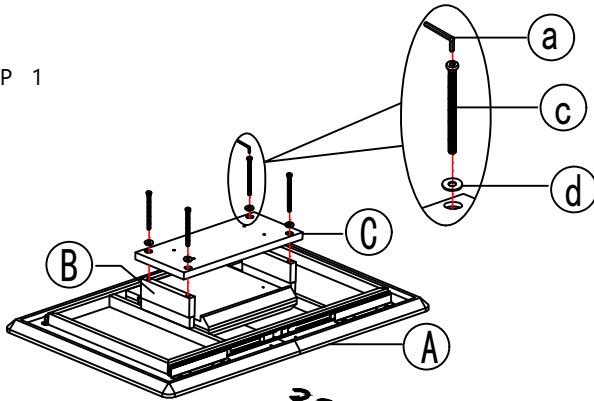


THANK YOU FOR PURCHASING THIS QUALITY PRODUCT.
BE SURE TO CHECK ALL PACKING MATERIAL CAREFULLY FOR SMALL PARTS THAT MAY HAVE COME LOOSE INSIDE THE CARTON DURING TRANSIT.

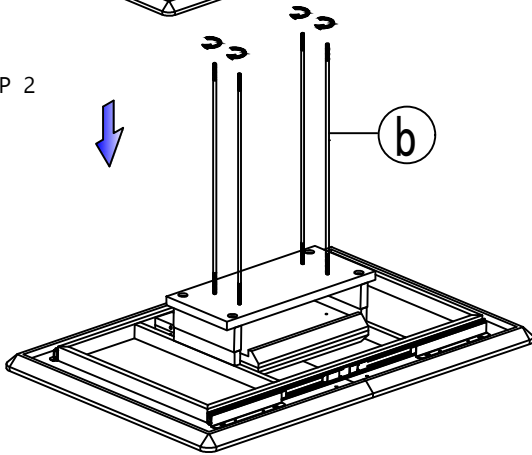
PART LIST

NO	DESC	SIZE (MM)	SKETCH	QTY
A	TOP	1200x800x101		1PC
B	SMALL BOX	235x70x25		2PCS
C	CONNECTION BOARD	540x235x25		1PC
D	COLUMN	500x150x543		1PC
E	BASE	800x450x8		1PC

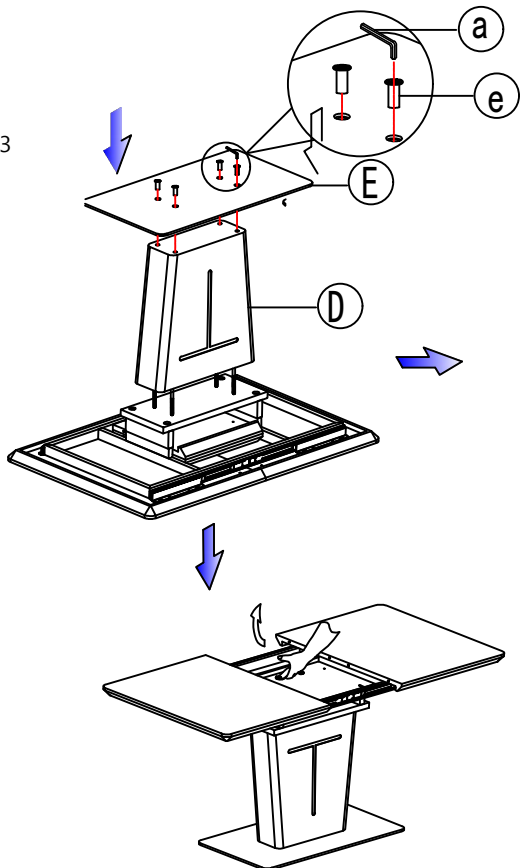
STEP 1



STEP 2

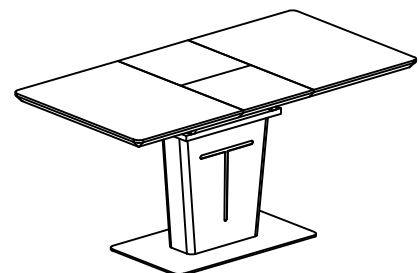
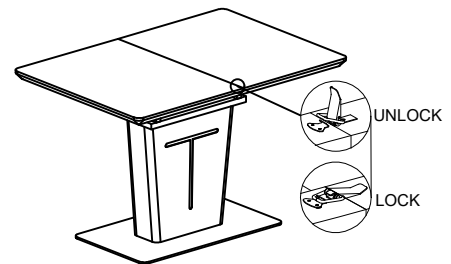


STEP 3



HARDWARE LIST

NO	DESC	SIZE (MM)	SKETCH	QTY
a	SPANNER	5MM		1PC
b	LONG THREAD	M8x555		4PCS
c	NUT	M8		4PCS
d	BOIT	M8x105		4PCS
e	FLAT WASHER	φ22x11		4PCS



AFTER ASSEMBLED THE BASE TO THE TABLE TOP,
MAKE SURE THE LATCHES ARE LOCKED BEFORE
TURNING THE TABLE UPSIDE UP.