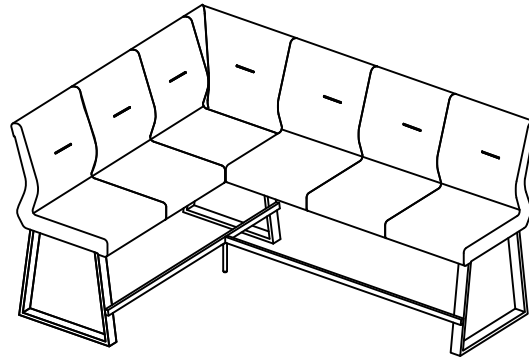




THANK YOU FOR PURCHASING THIS QUALITY PRODUCT.
BE SURE TO CHECK ALL PACKING MATERIAL CAREFULLY FOR SMALL PARTS THAT MAY HAVE COME LOOSE INSIDE THE CARTON DURING TRANSIT.



HARDWARE LIST:

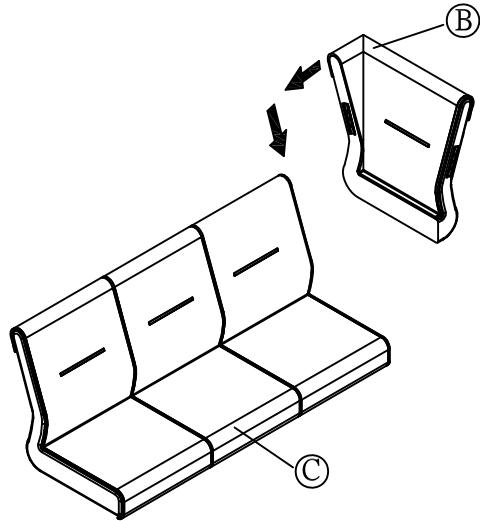
NO	DESCRIPTION	SIZE(mm)	SKETCH	QTY
1	METAL CONNECTOR	t8.0x50x208		2PCS
2	WASHER	ø8.5		20PCS
3	BOLT	M8x25		20PCS
4	WASHER	ø16xø6.5*t1.0		9PCS
5	SPRING WASHER	ø6.5*t1.8		9PCS
6	BOLT	1/4"*38		7PCS
7	BOLT	1/4"*15		2PCS
8	ALLEN KEY	5		1PC
9	ALLEN KEY	4		1PC

PARTS LIST:

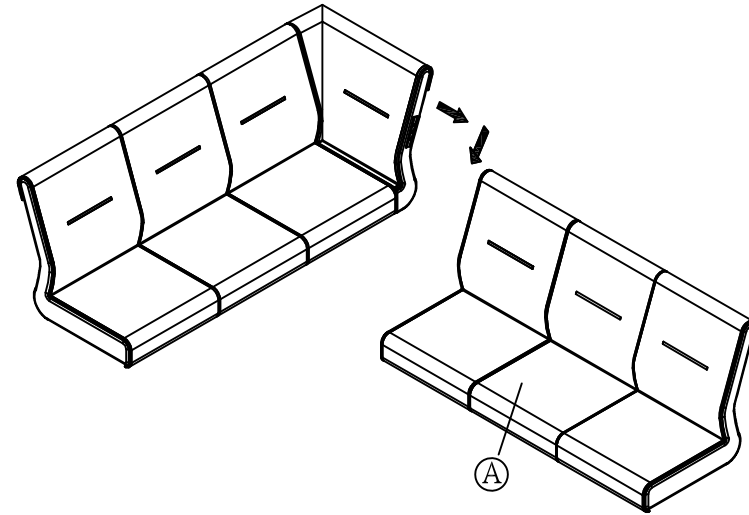
NO	DESCRIPTION	SKETCH	QTY
A	RIGHT SEATER (LENGTH 148CM)		1PC
B	CORNER BACK OPTIONALS (LEFT)		1PC
C	LEFT SEATER (LENGTH 145CM)		1PC
D	LEG		3PCS
E	SUPPORT RAIL		1PC
F	SUPPORT RAIL		1PC
G	MIDDLE SUPPORT		1PC



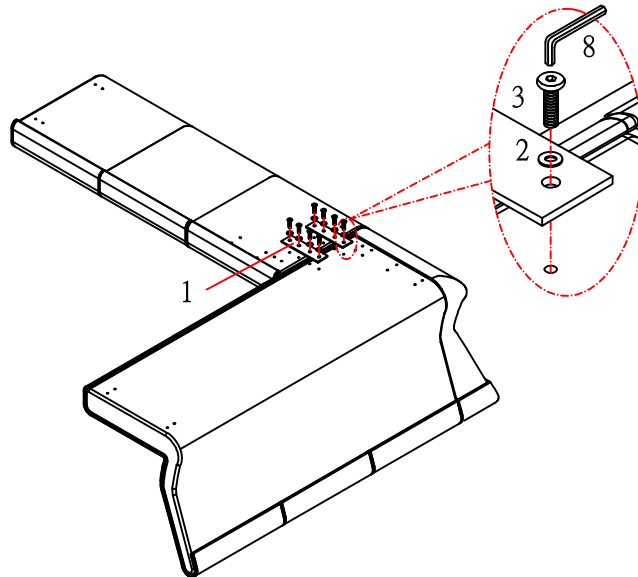
Step 1



Step 2

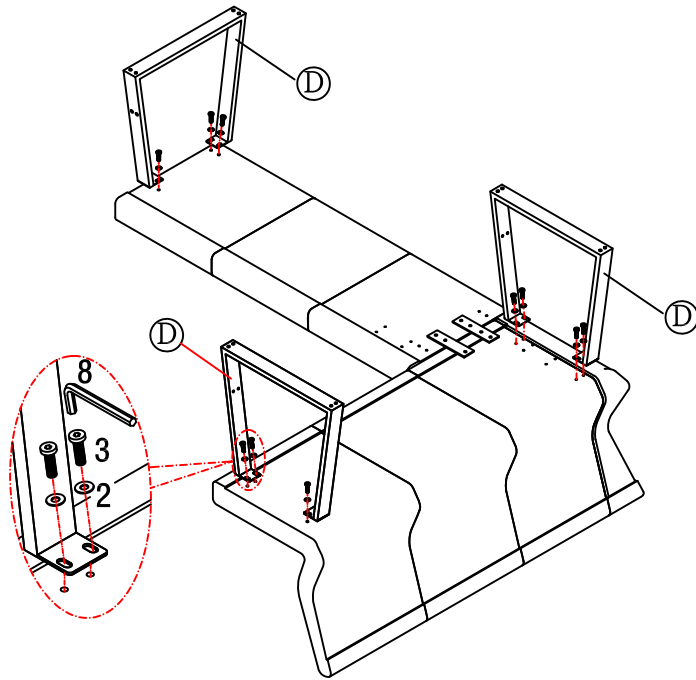


Step 3

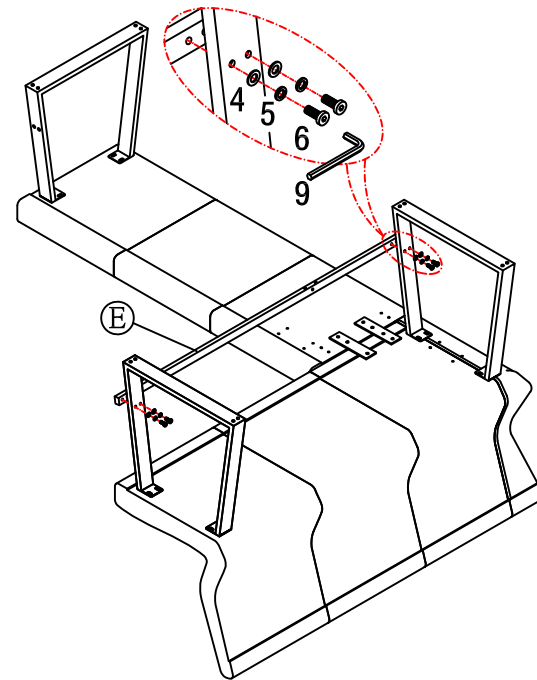




Step 4

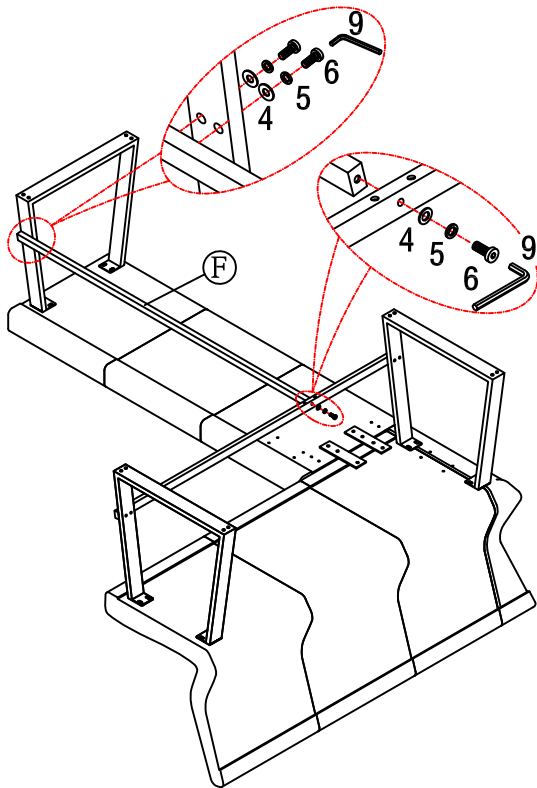


Step 5

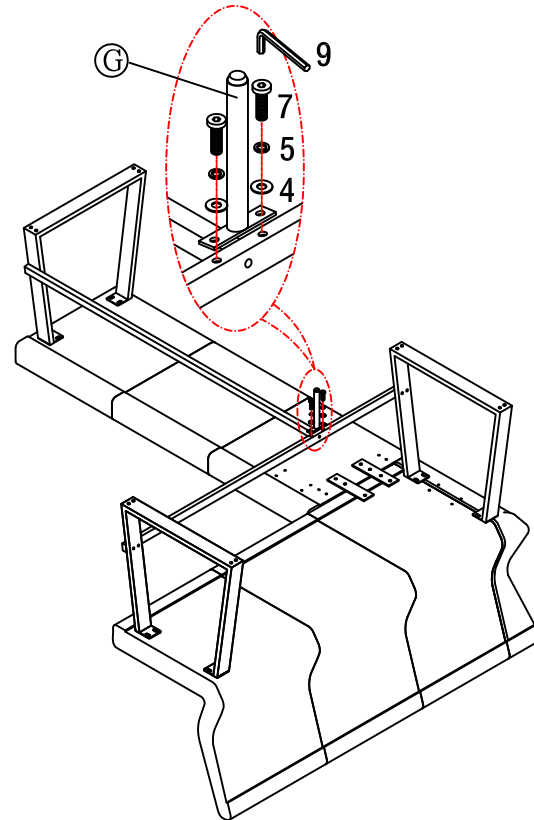




Step 6



Step 7



FINISH

