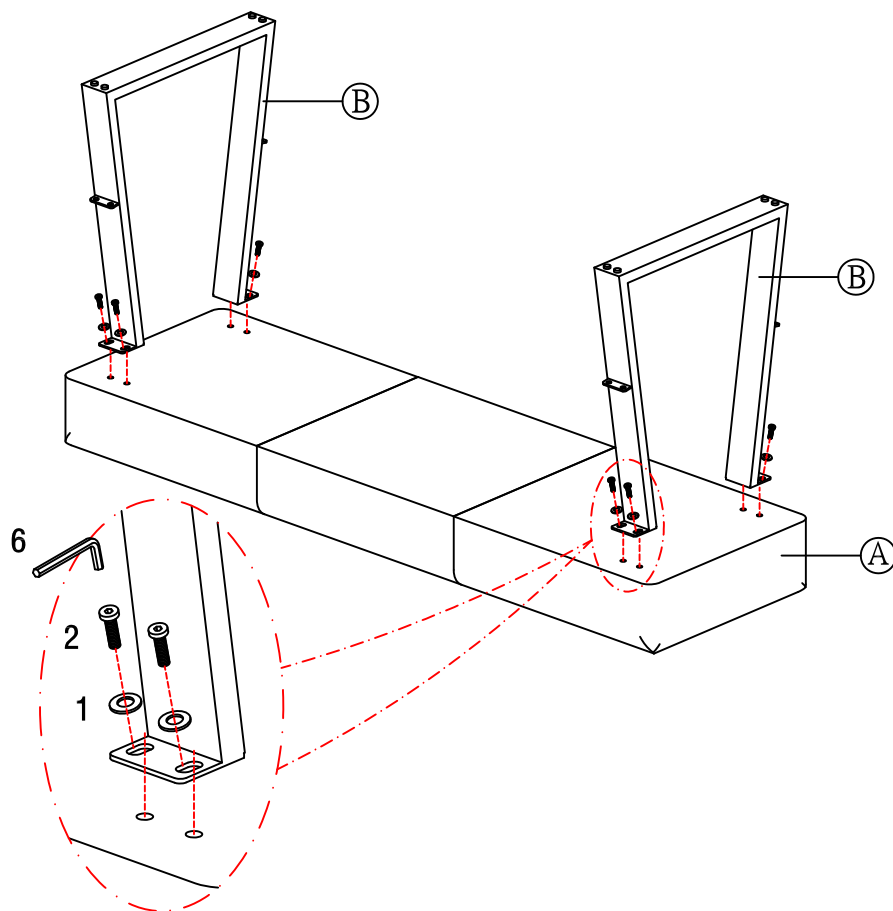


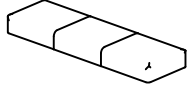

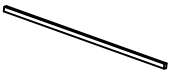
THANK YOU FOR PURCHASING THIS QUALITY PRODUCT.

BE SURE TO CHECK ALL PACKING MATERIAL CAREFULLY FOR SMALL PARTS THAT MAY HAVE COME LOOSE INSIDE THE CARTON DURING TRANSIT.








Step 1



PARTS LIST:

NO	DESCRIPTION	SIZE(mm)	SKETCH	QTY
A	SEAT CUSHION	1460*450		1PC
B	LEG			2PCS
C	SUPPORT RAIL			2PCS

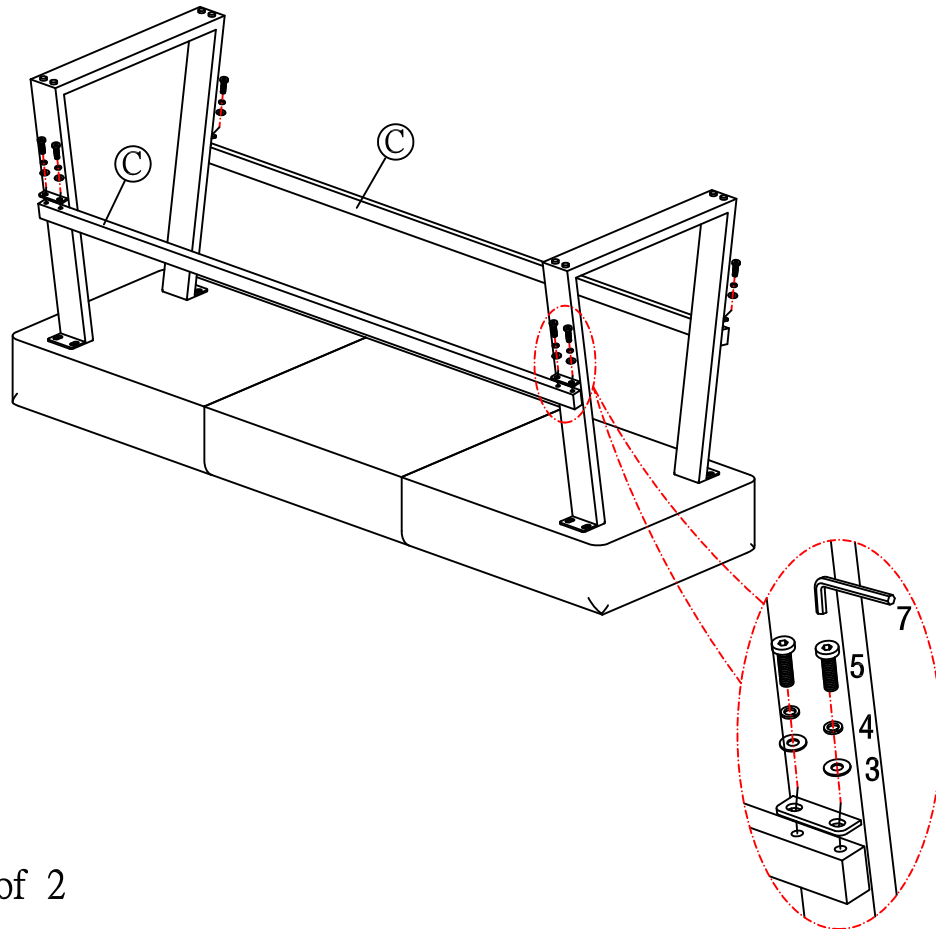
HARDWARE LIST:

NO	DESCRIPTION	SIZE(mm)	SKETCH	QTY
1	WASHER	ø8.5		8PCS
2	BOLT	M8x35		8PCS
3	WASHER	ø16xø6.5*t1.0		8PCS
4	SPRING WASHER	ø6.5*t1.8		8PCS
5	BOLT	1/4"*15		8PCS
6	ALLEN KEY	5		1PC
7	ALLEN KEY	4		1PC



THANK YOU FOR PURCHASING THIS QUALITY PRODUCT.
BE SURE TO CHECK ALL PACKING MATERIAL CAREFULLY FOR SMALL PARTS THAT MAY HAVE COME LOOSE INSIDE THE CARTON DURING TRANSIT.

Step 2



FINISH

