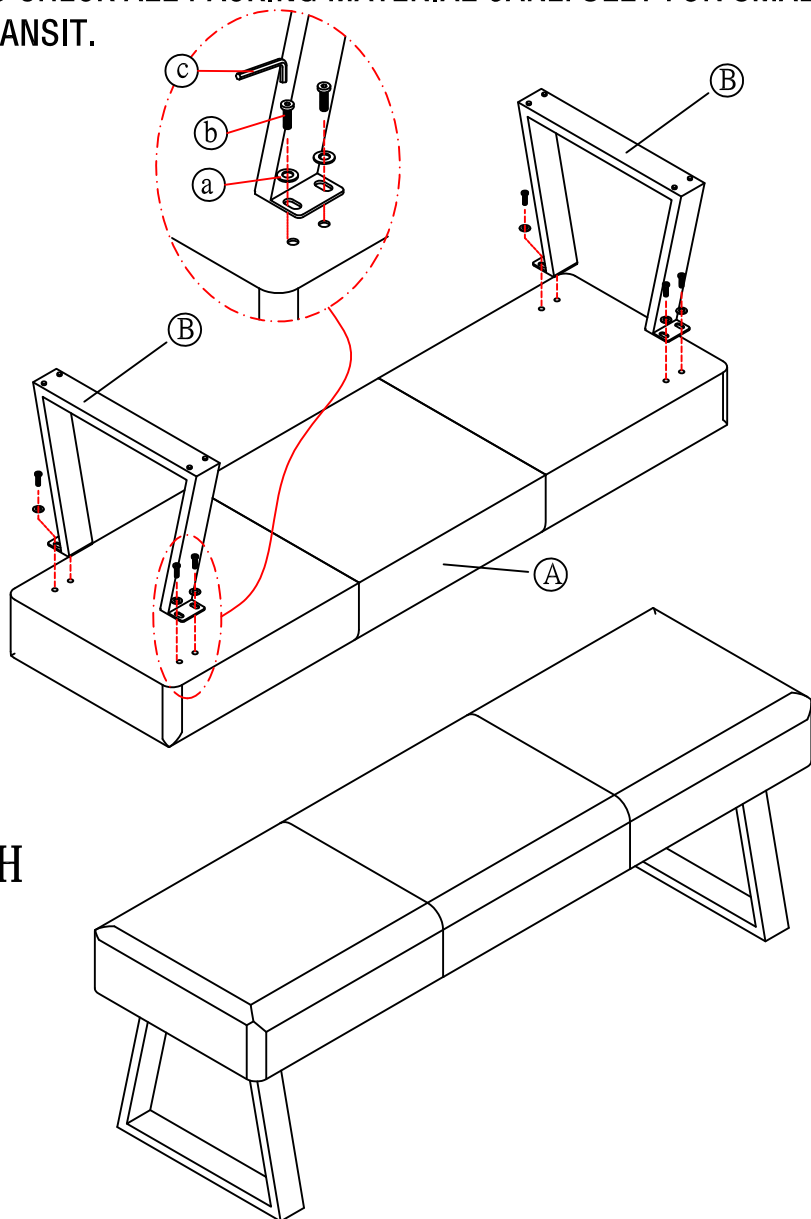




THANK YOU FOR PURCHASING THIS QUALITY PRODUCT.

BE SURE TO CHECK ALL PACKING MATERIAL CAREFULLY FOR SMALL PARTS THAT MAY HAVE COME LOOSE INSIDE THE CARTON DURING TRANSIT.

### Step 1



FINISH

### PARTS LIST:

NO	DESCRIPTION	SIZE(mm)	SKETCH	QTY
A	SEAT CUSHION	1460*450*148		1PC
B	LEG	418*343*60		2PCS

### HARDWARE LIST:

NO	DESCRIPTION	SIZE(mm)	SKETCH	QTY
a	WASHER	∅8.5		8PCS
b	BOLT	M8x35		8PCS
c	ALLEN KEY	5		1PC